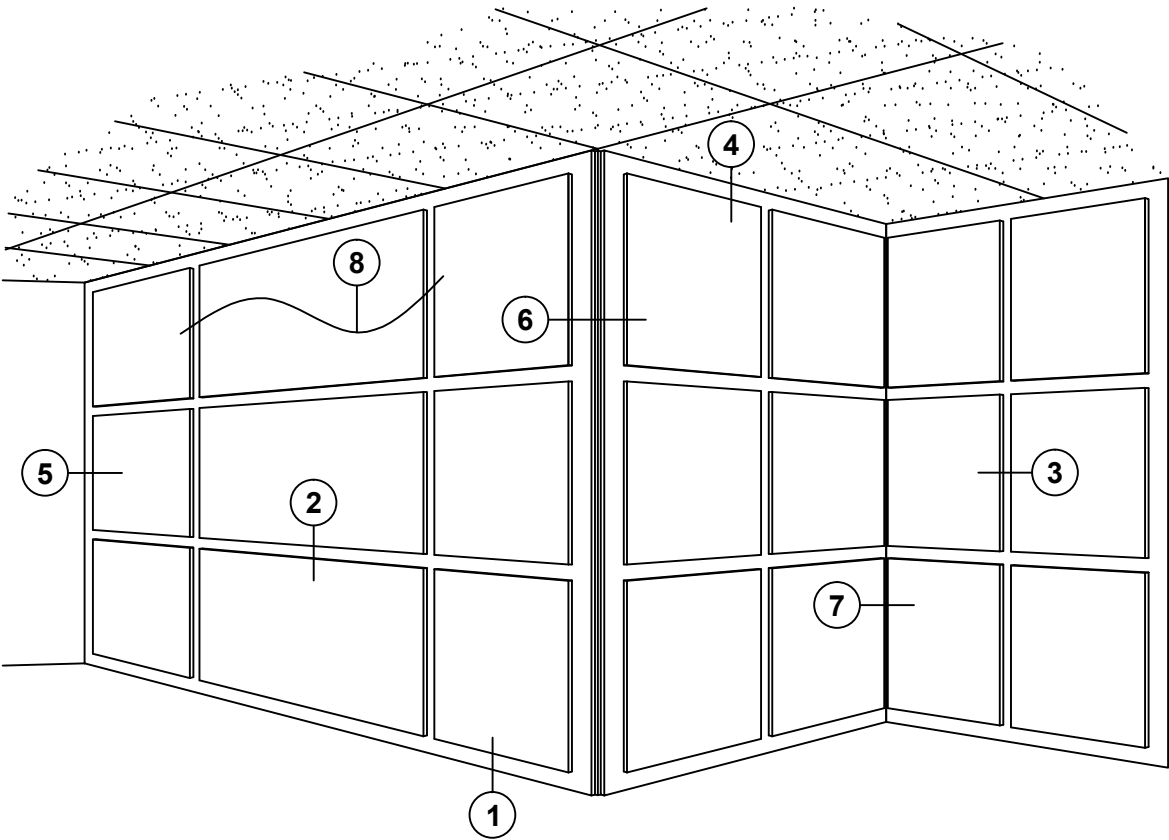


KEY-TRAC

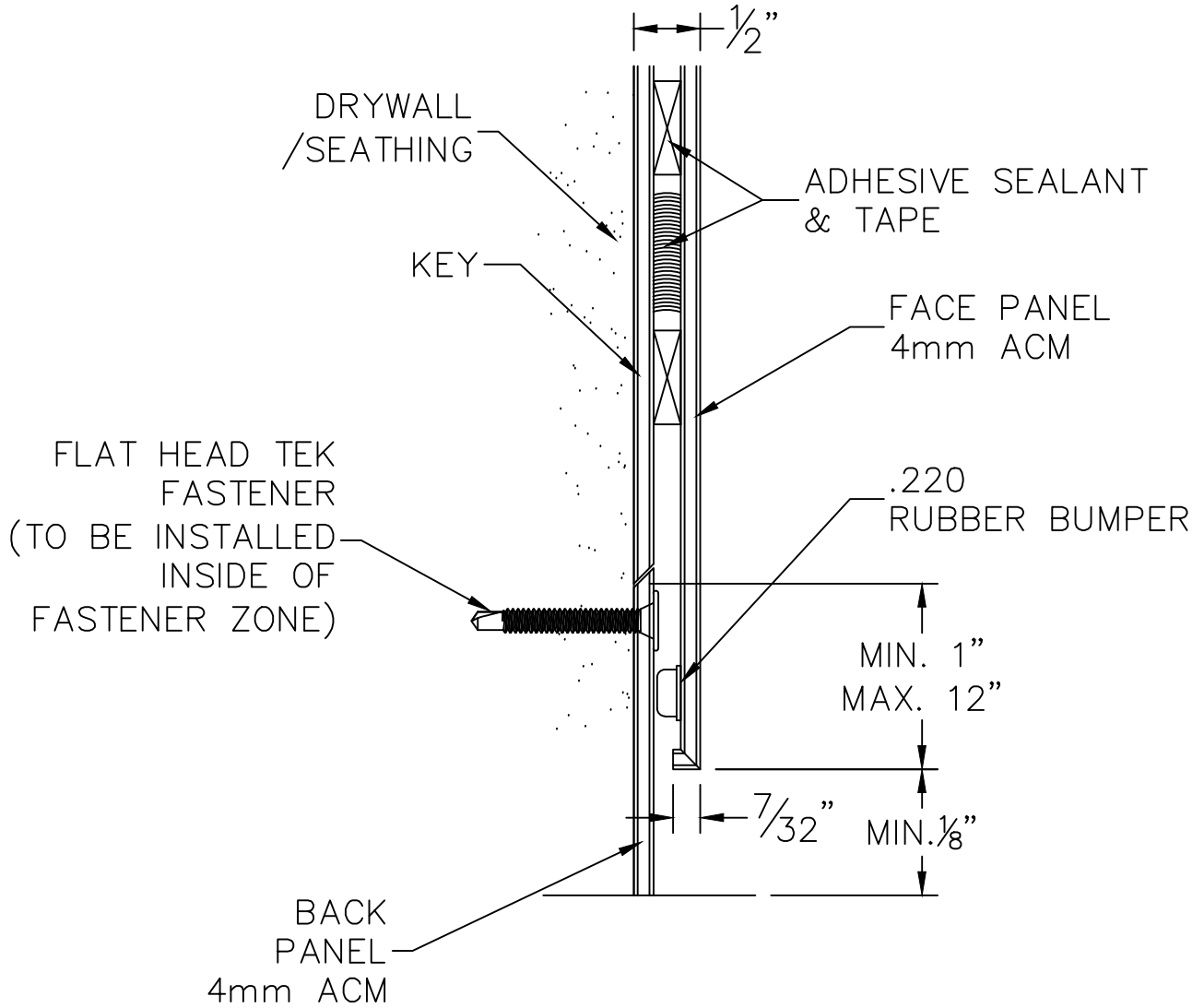
INTERIOR SYSTEMS

TYPICAL DETAILS



MANUFACTURED BY ALTECH PANEL SYSTEMS AND AVAILABLE THROUGH VARIOUS DISTRIBUTORS
1 JOHNSON ST. SUITE 118 CARTERSVILLE, GA. 30120 PHONE 678-721-4569

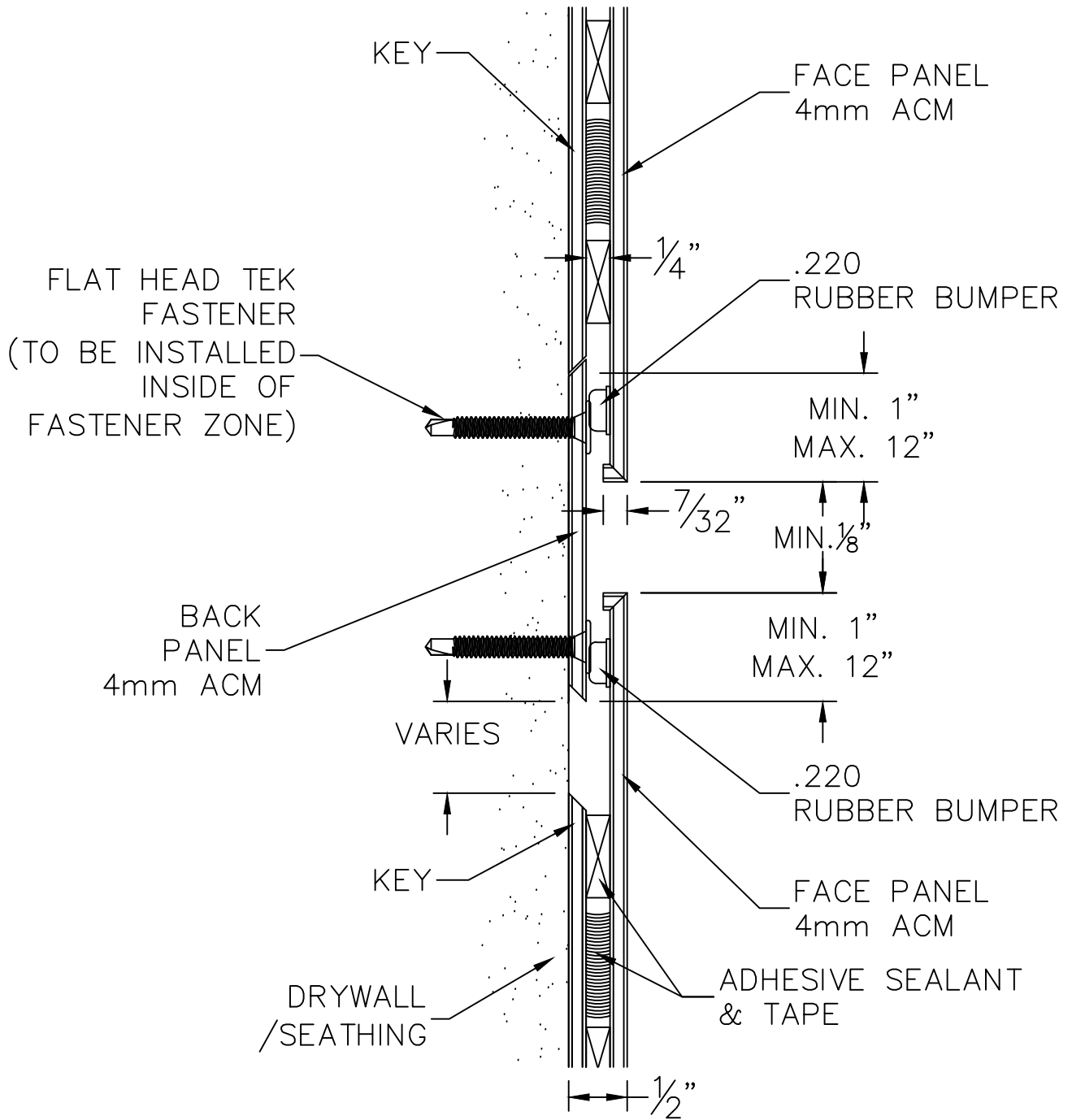
ALTECHPANEL.COM



1

SILL TERMINATION

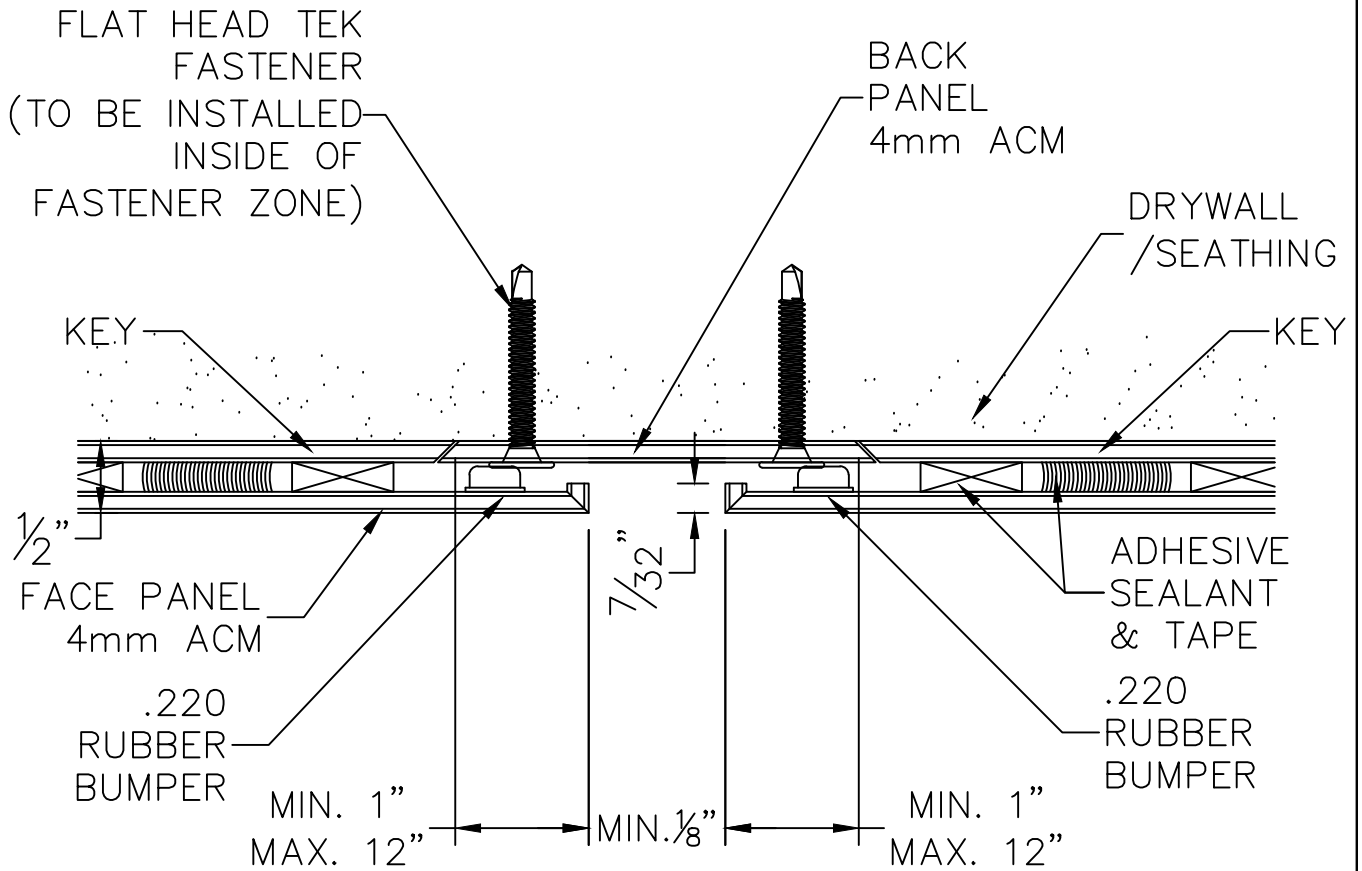
SCALE: NONE



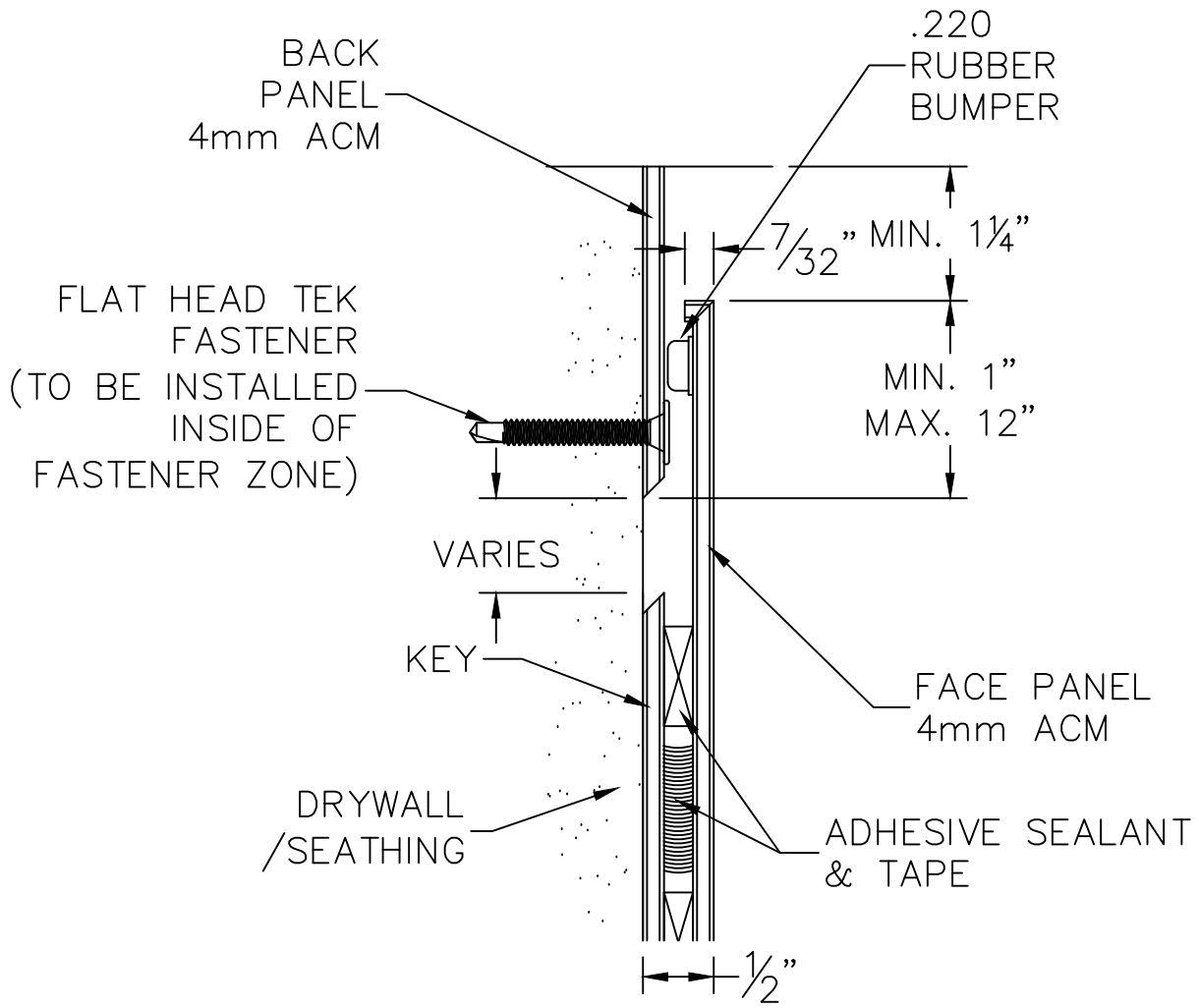
2

TYP. HORIZONTAL JT.

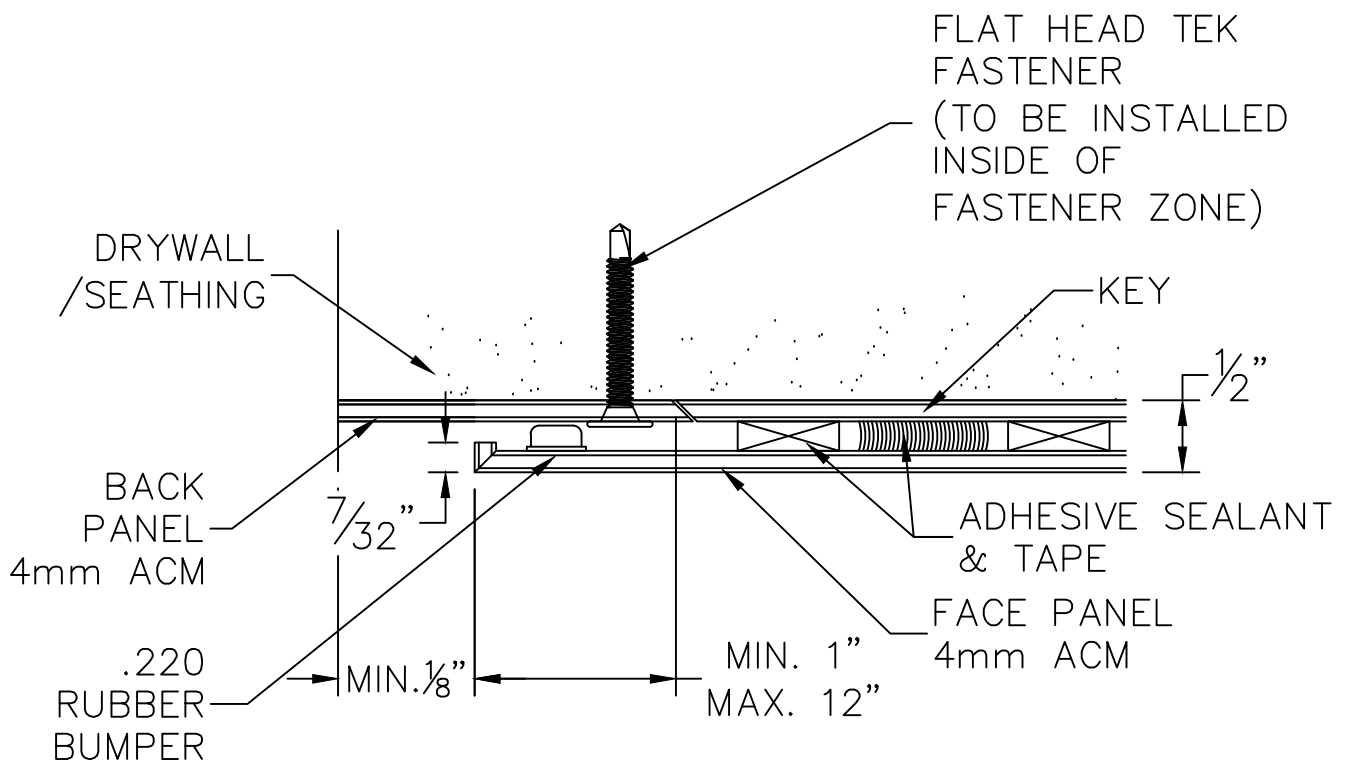
SCALE: NONE



3 TYP. VERTICAL JT.
SCALE: NONE



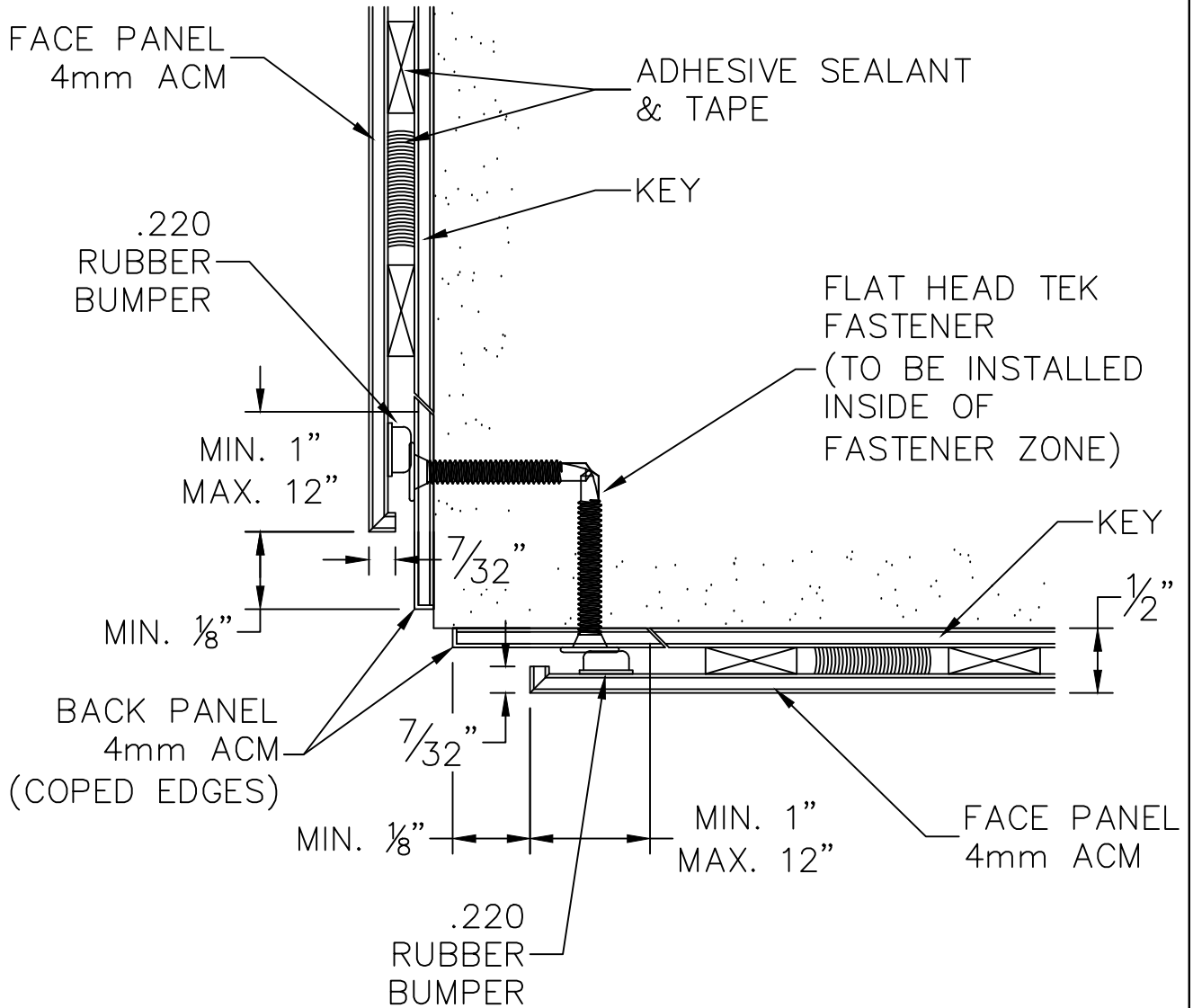
4 HEAD TERMINATION
SCALE: NONE



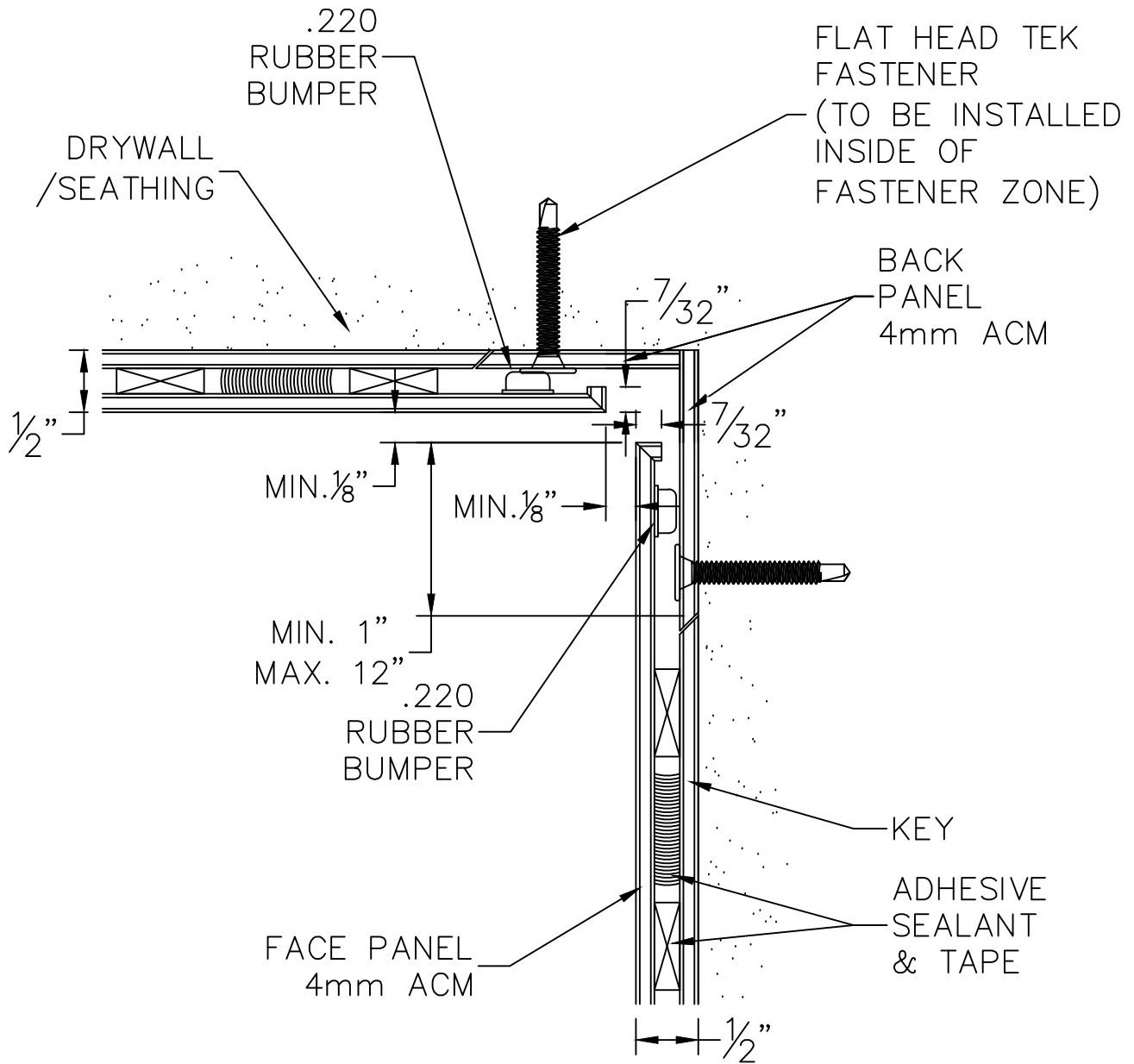
5

JAMB TERMINATION

SCALE: NONE



6 OUTSIDE CORNER
SCALE: NONE



7 INSIDE CORNER
SCALE: NONE