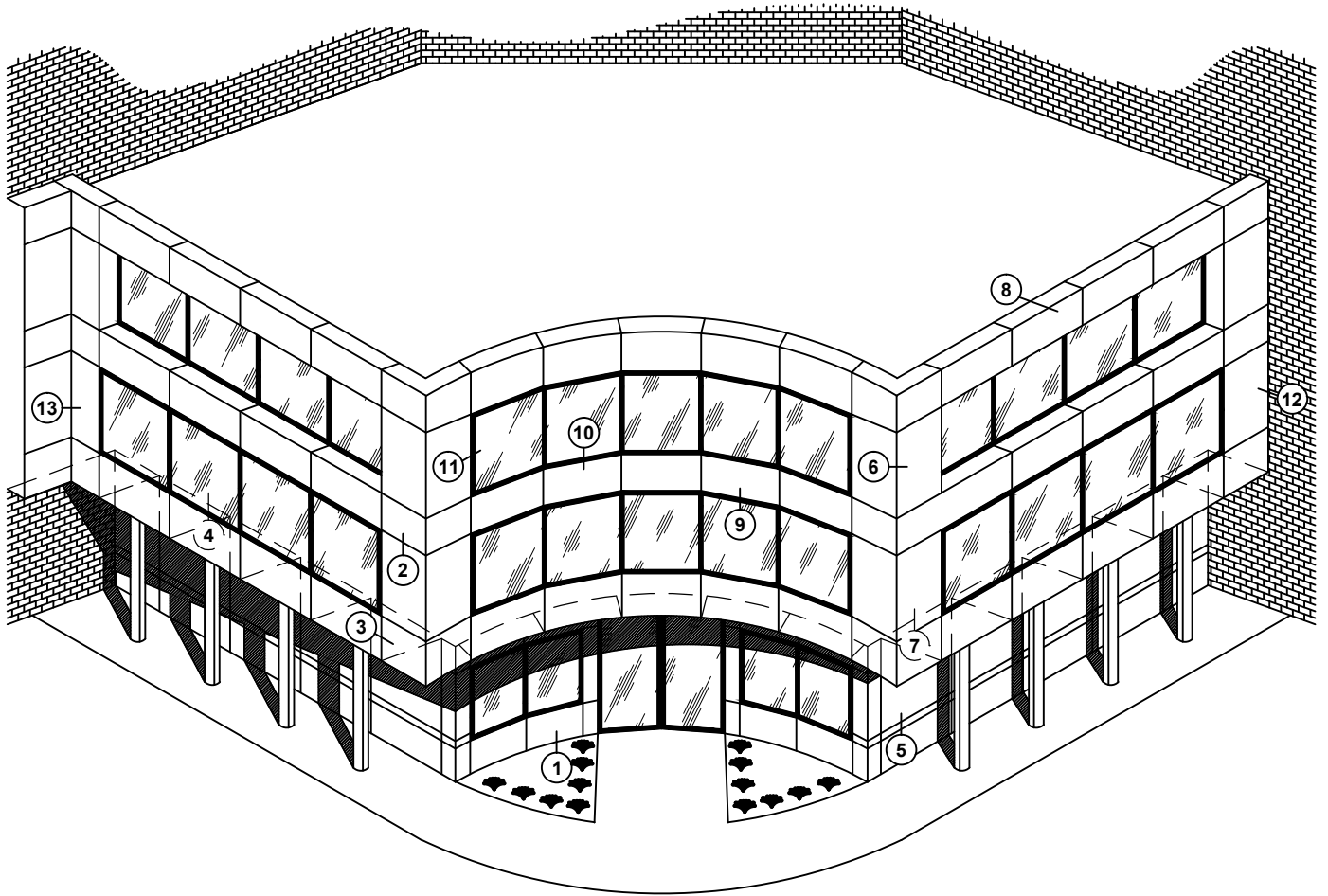


ALTECH

PANEL SYSTEMS

MANUFACTURER OF THE ACCU-TRAC PANEL SYSTEM

ALTECH - EXPOSED FASTENER SYSTEM (EFS) TYPICAL DETAILS



MANUFACTURED BY ALTECH PANEL SYSTEMS LLC, AND AVAILABLE THROUGH VARIOUS DISTRIBUTORS
1 JOHNSON ST. SUITE 118 CARTERSVILLE, GA. 30120 PHONE 678-721-4569

ALTECHPANEL.COM

ALTECH PANEL SYSTEMS

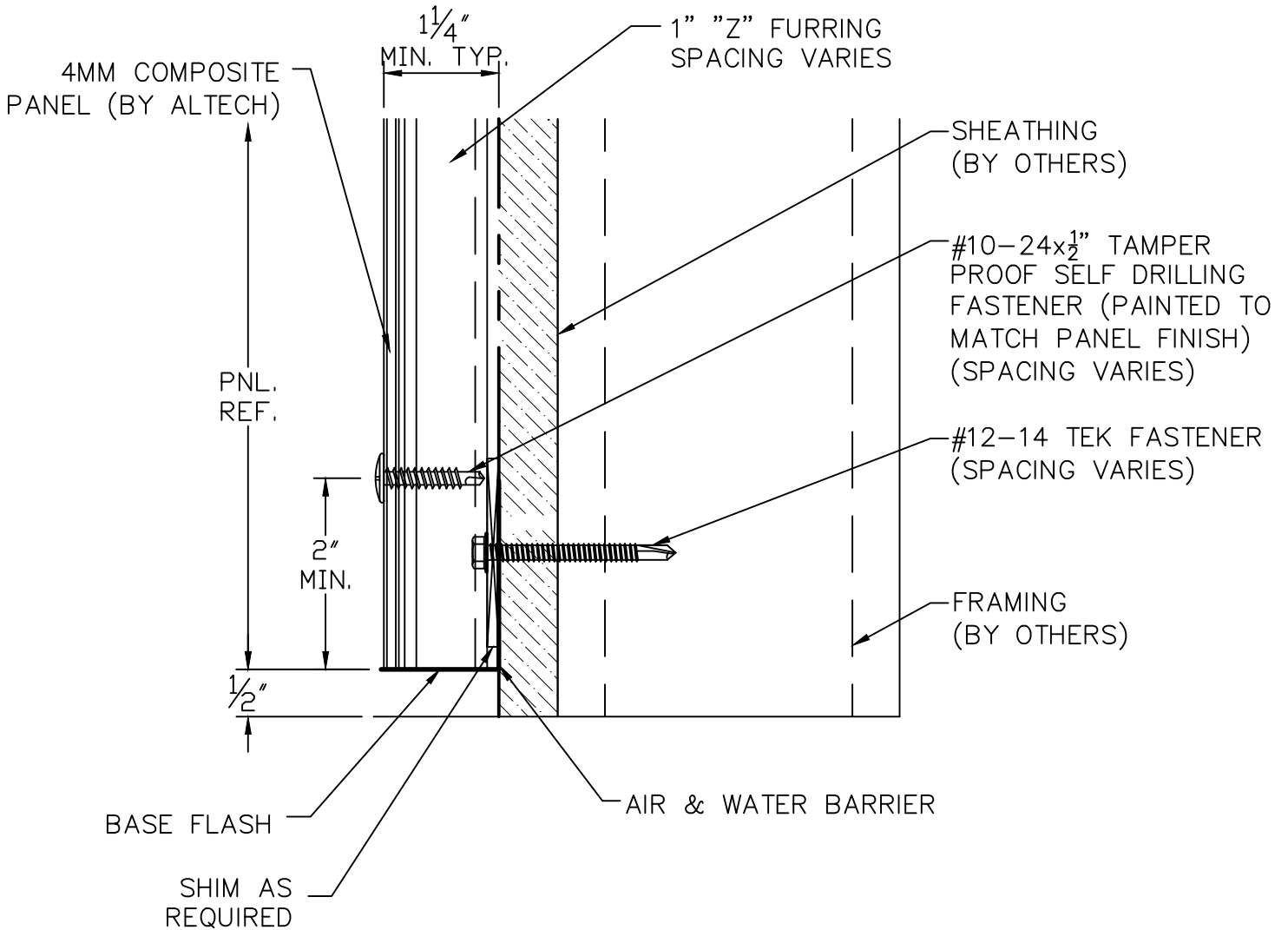
MANUFACTURER OF THE ACCU-TRAC PANEL SYSTEM

1 JOHNSON ST. SUITE 118

CARTERSVILLE, GA 30120

PHONE: (678) 721-4569

FAX: (678) 721-4958



1 BASE TERMINATION
NOT TO SCALE

THIS DETAIL AND EXTRUSIONS ARE PROPRIETARY AND ARE NOT TO BE DUPLICATED OR DISTRIBUTED WITHOUT WRITTEN PERMISSION FROM THE MANAGEMENT OF ALTECH PANEL SYSTEMS

ALTECH PANEL SYSTEMS

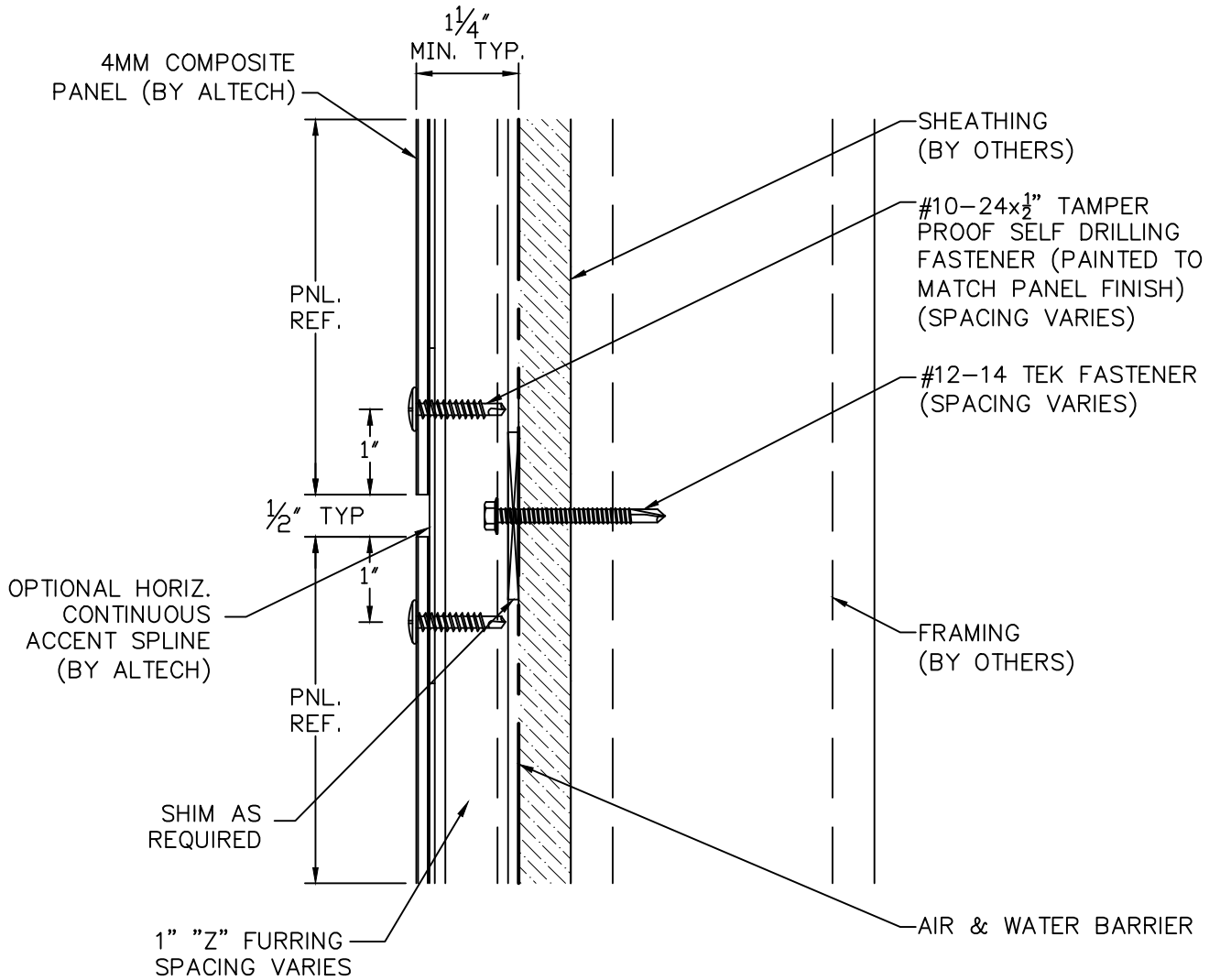
MANUFACTURER OF THE ACCU-TRAC PANEL SYSTEM

1 JOHNSON ST. SUITE 118

CARTERSVILLE, GA 30120

PHONE: (678) 721-4569

FAX: (678) 721-4958



2 TYP. HORIZONTAL JOINT
NOT TO SCALE

THIS DETAIL AND EXTRUSIONS ARE PROPRIETARY AND ARE NOT TO BE DUPLICATED OR DISTRIBUTED WITHOUT WRITTEN PERMISSION FROM THE MANAGEMENT OF ALTECH PANEL SYSTEMS

ALTECH PANEL SYSTEMS

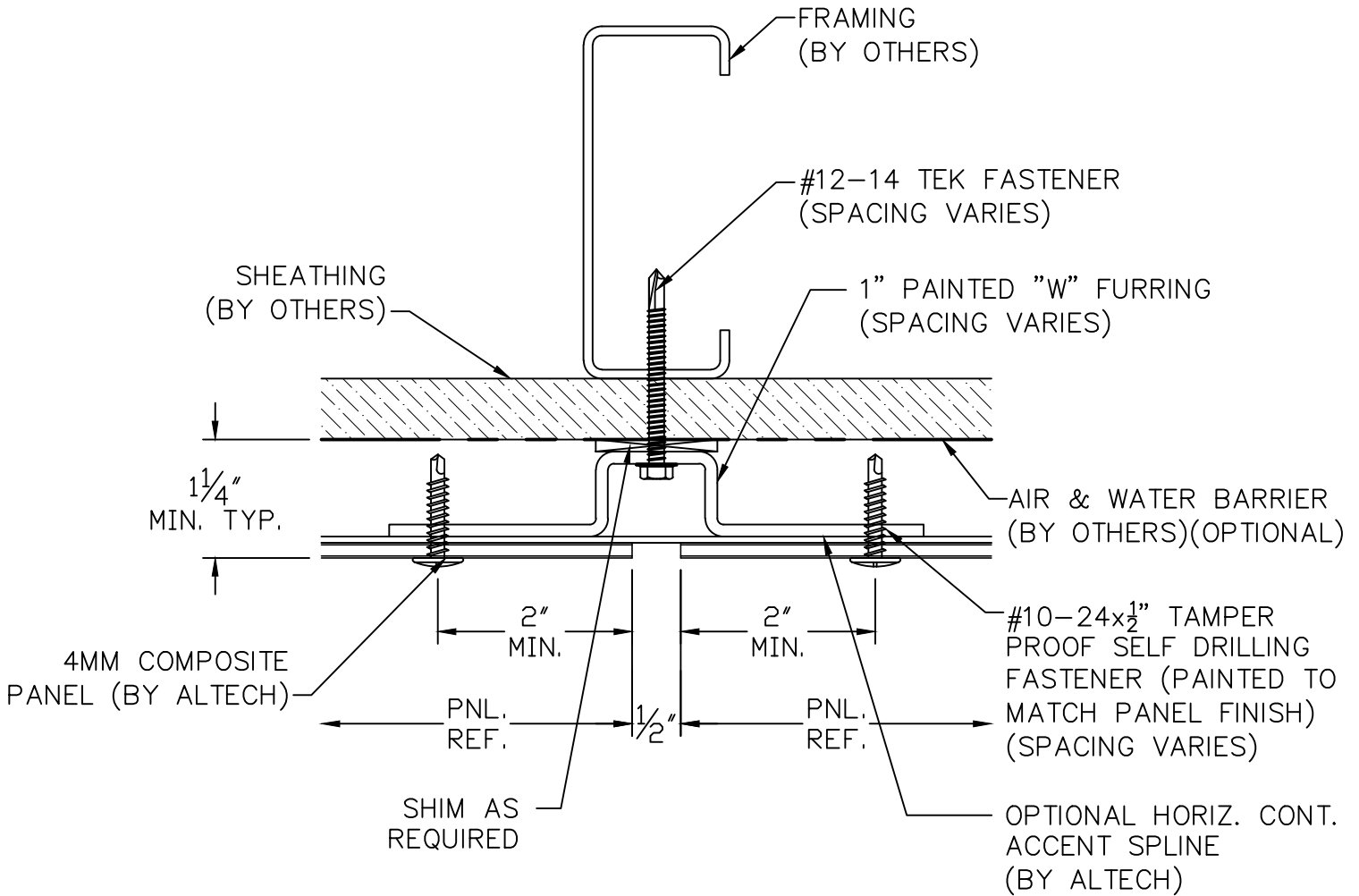
MANUFACTURER OF THE ACCU-TRAC PANEL SYSTEM

1 JOHNSON ST. SUITE 118

CARTERSVILLE, GA 30120

PHONE: (678) 721-4569

FAX: (678) 721-4958



3 TYP. VERTICAL JOINT
NOT TO SCALE

THIS DETAIL AND EXTRUSIONS ARE PROPRIETARY AND ARE NOT TO BE DUPLICATED OR DISTRIBUTED WITHOUT WRITTEN PERMISSION FROM THE MANAGEMENT OF ALTECH PANEL SYSTEMS

ALTECH PANEL SYSTEMS

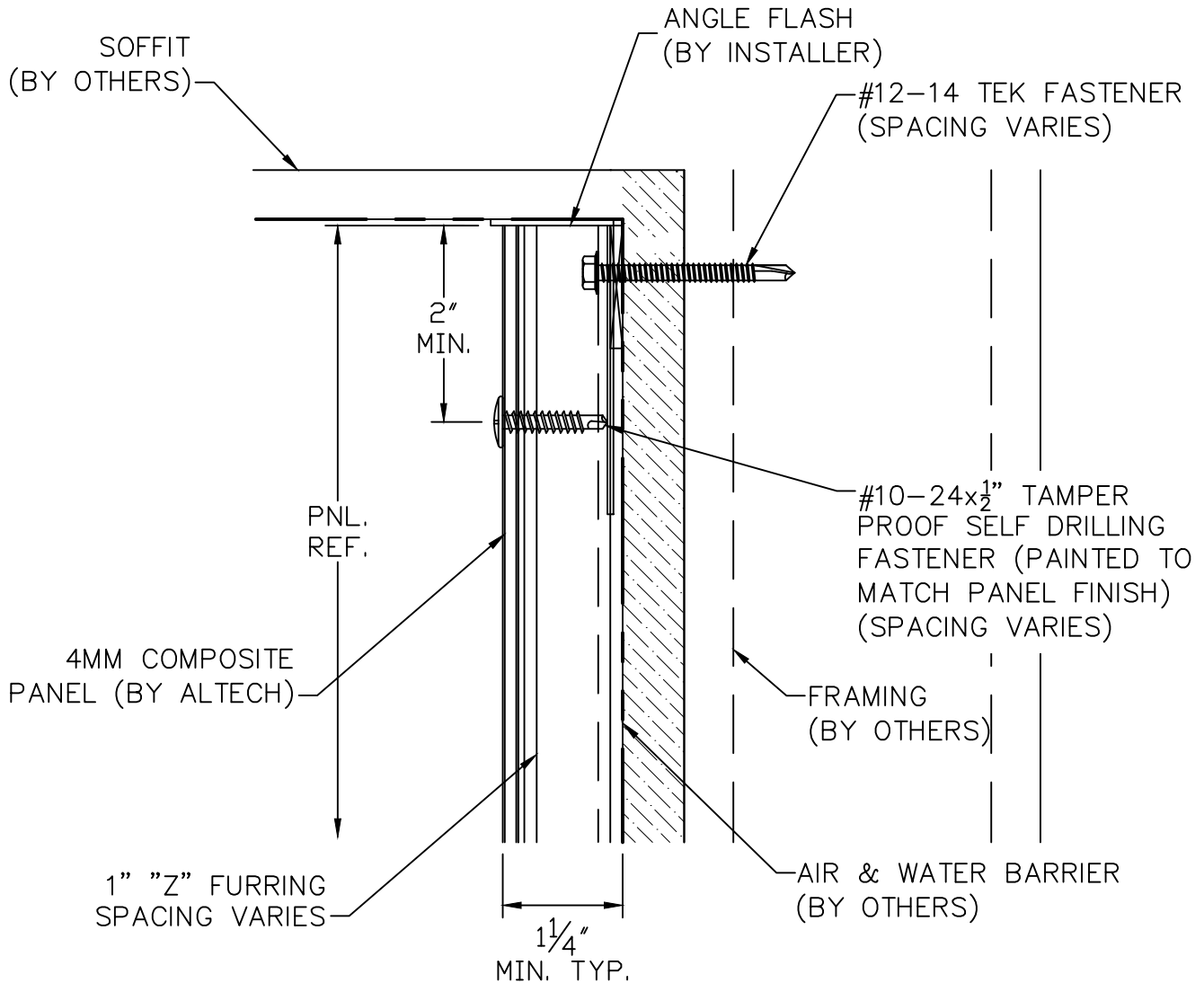
MANUFACTURER OF THE ACCU-TRAC PANEL SYSTEM

1 JOHNSON ST. SUITE 118

CARTERSVILLE, GA 30120

PHONE: (678) 721-4569

FAX: (678) 721-4958



4 TERMINATION @ SOFFIT
NOT TO SCALE

THIS DETAIL AND EXTRUSIONS ARE PROPRIETARY AND ARE NOT TO BE DUPLICATED OR DISTRIBUTED
WITHOUT WRITTEN PERMISSION FROM THE MANAGEMENT OF ALTECH PANEL SYSTEMS

ALTECH PANEL SYSTEMS

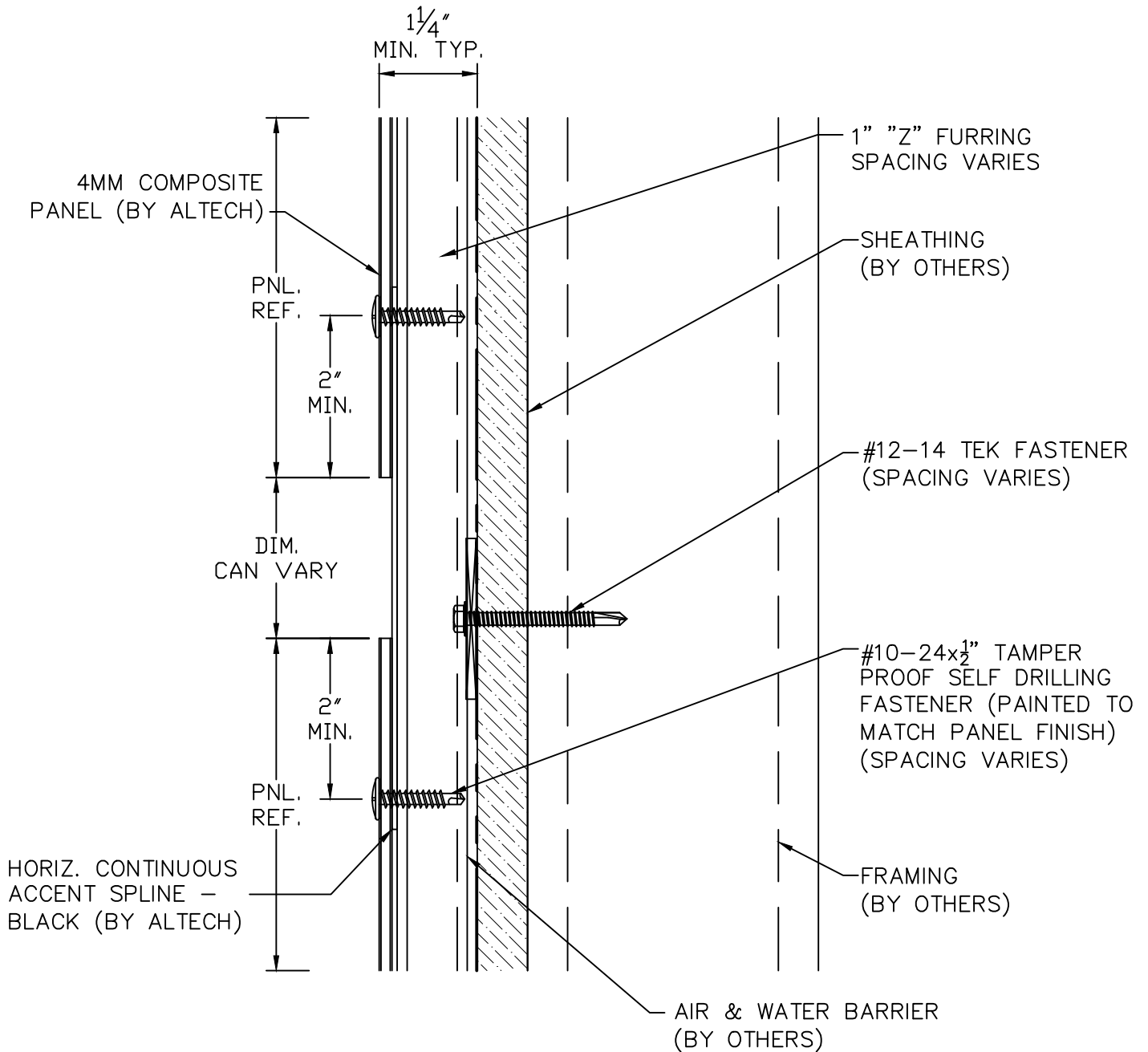
MANUFACTURER OF THE ACCU-TRAC PANEL SYSTEM

1 JOHNSON ST. SUITE 118

CARTERSVILLE, GA 30120

PHONE: (678) 721-4569

FAX: (678) 721-4958



5 TYP. REVEAL JOINT
NOT TO SCALE

THIS DETAIL AND EXTRUSIONS ARE PROPRIETARY AND ARE NOT TO BE DUPLICATED OR DISTRIBUTED WITHOUT WRITTEN PERMISSION FROM THE MANAGEMENT OF ALTECH PANEL SYSTEMS

ALTECH PANEL SYSTEMS

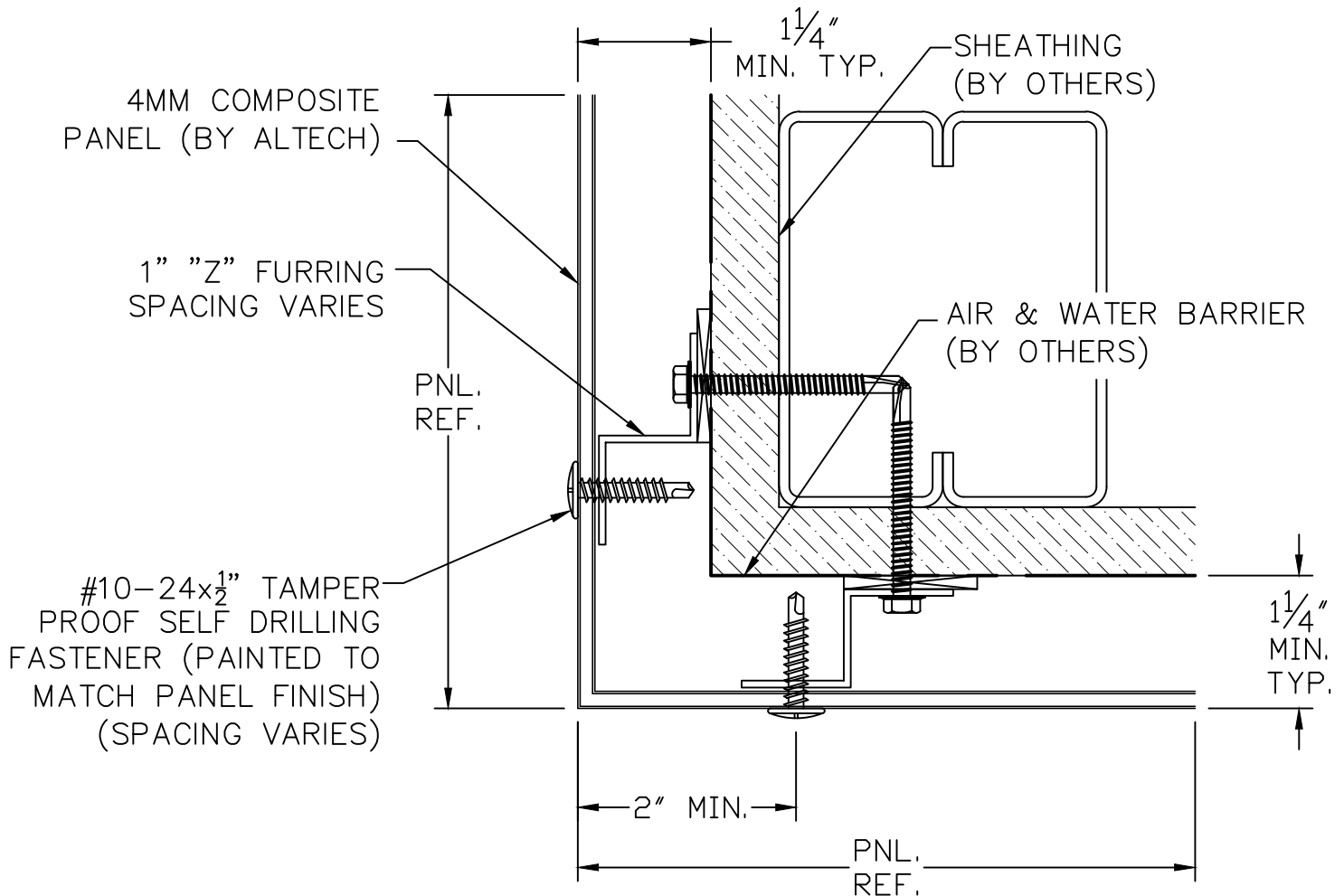
MANUFACTURER OF THE ACCU-TRAC PANEL SYSTEM

1 JOHNSON ST. SUITE 118

CARTERSVILLE, GA 30120

PHONE: (678) 721-4569

FAX: (678) 721-4958



6

OUTSIDE CORNER

NOT TO SCALE (FOR PLAN ONLY)

THIS DETAIL AND EXTRUSIONS ARE PROPRIETARY AND ARE NOT TO BE DUPLICATED OR DISTRIBUTED WITHOUT WRITTEN PERMISSION FROM THE MANAGEMENT OF ALTECH PANEL SYSTEMS

ALTECH PANEL SYSTEMS

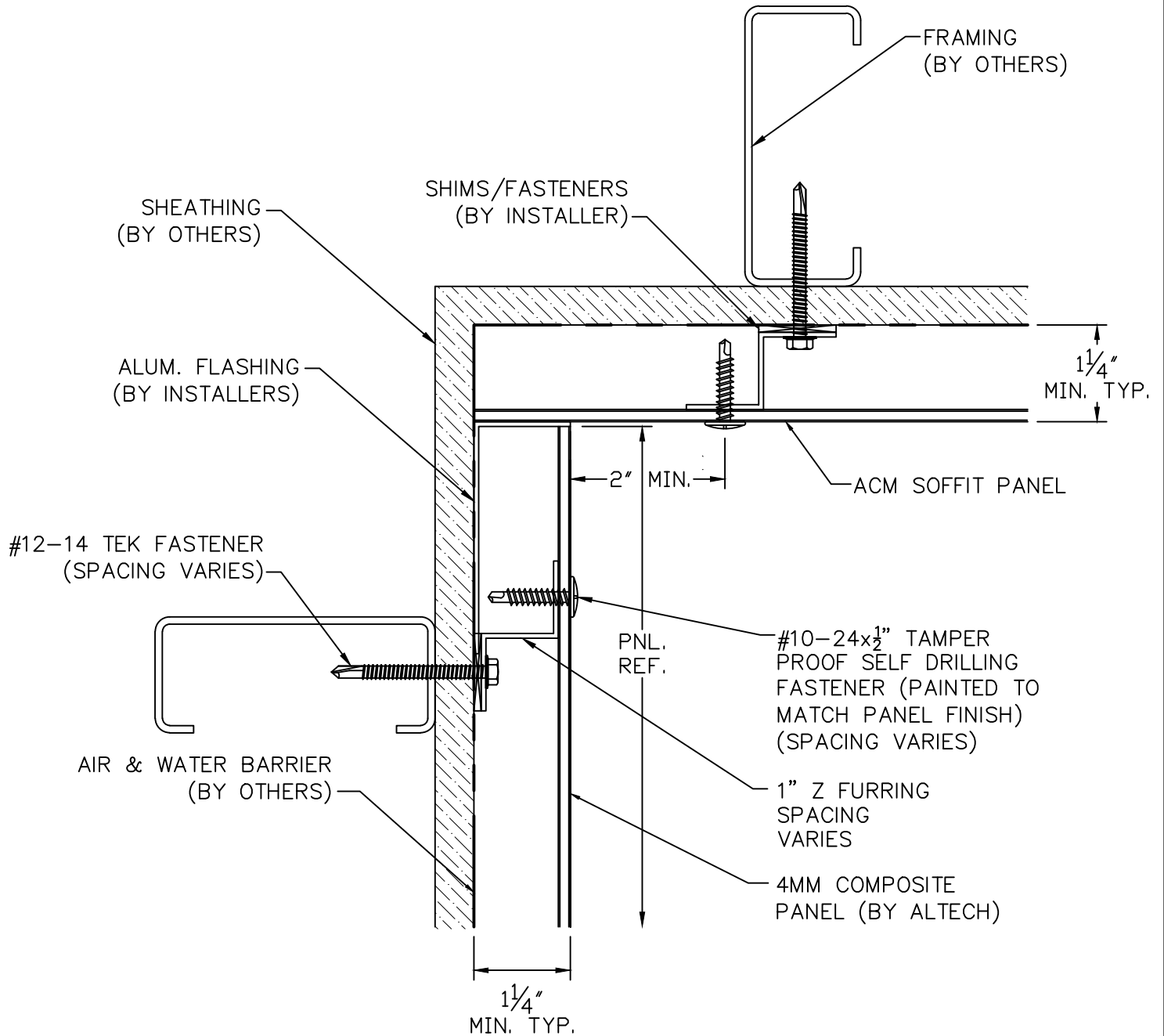
MANUFACTURER OF THE ACCU-TRAC PANEL SYSTEM

1 JOHNSON ST. SUITE 118

CARTERSVILLE, GA 30120

PHONE: (678) 721-4569

FAX: (678) 721-4958



7 SOFFIT CONDITION
NOT TO SCALE (FOR PLAN)

THIS DETAIL AND EXTRUSIONS ARE PROPRIETARY AND ARE NOT TO BE DUPLICATED OR DISTRIBUTED WITHOUT WRITTEN PERMISSION FROM THE MANAGEMENT OF ALTECH PANEL SYSTEMS

ALTECH PANEL SYSTEMS

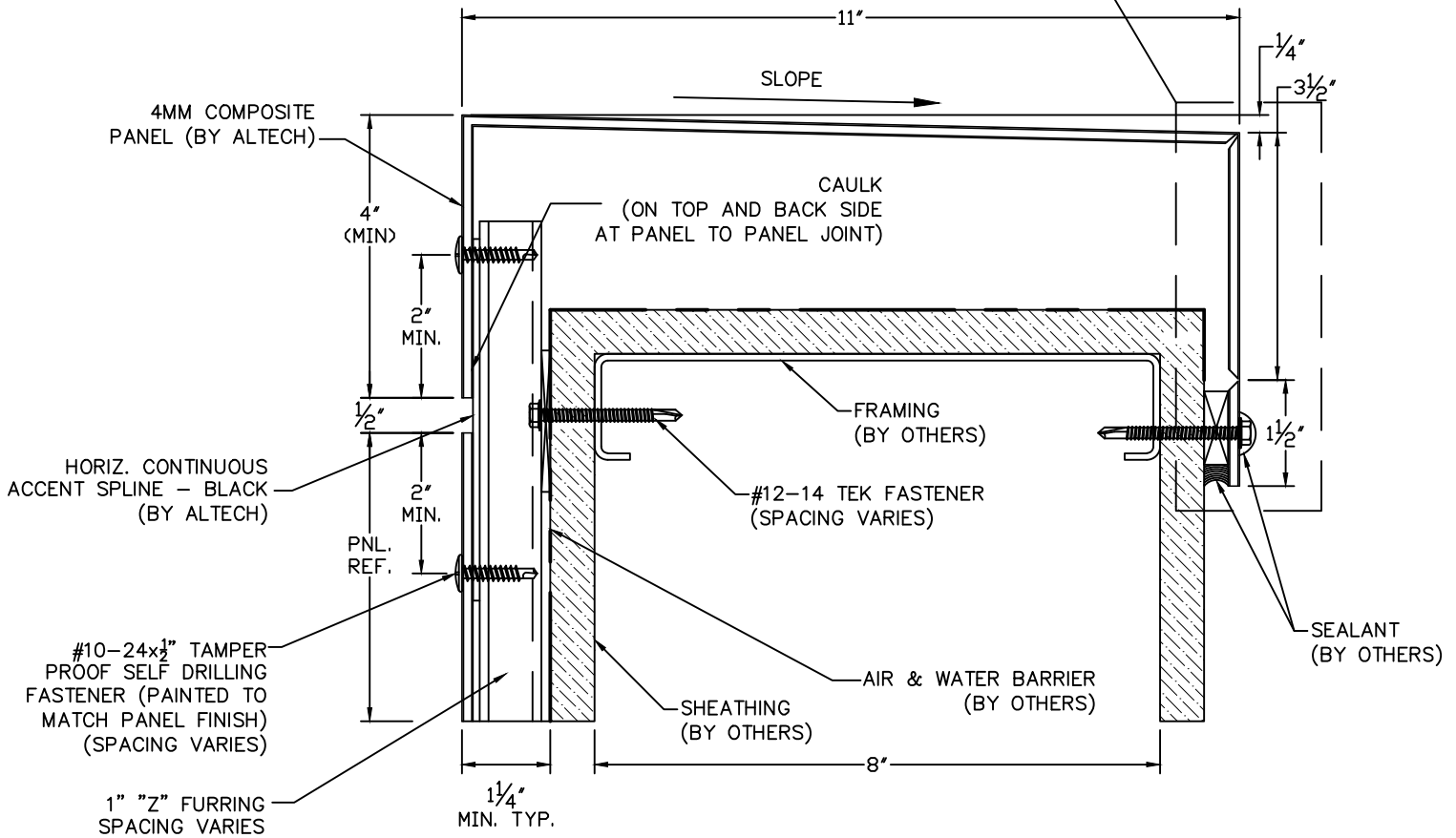
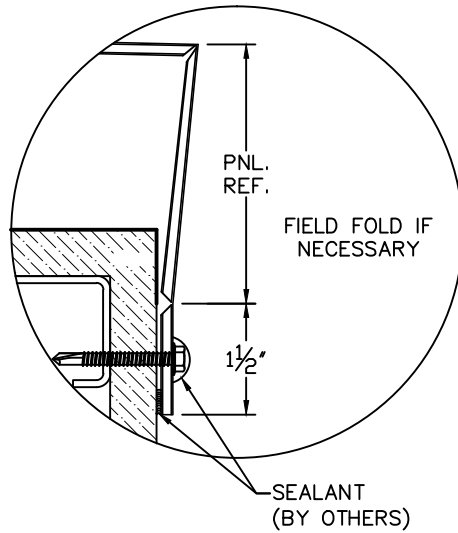
MANUFACTURER OF THE ACCU-TRAC PANEL SYSTEM

1 JOHNSON ST. SUITE 118

CARTERSVILLE, GA 30120

PHONE: (678) 721-4569

FAX: (678) 721-4958



8 PARAPET CONDITION NOT TO SCALE

THIS DETAIL AND EXTRUSIONS ARE PROPRIETARY AND ARE NOT TO BE DUPLICATED OR DISTRIBUTED WITHOUT WRITTEN PERMISSION FROM THE MANAGEMENT OF ALTECH PANEL SYSTEMS

ALTECH PANEL SYSTEMS

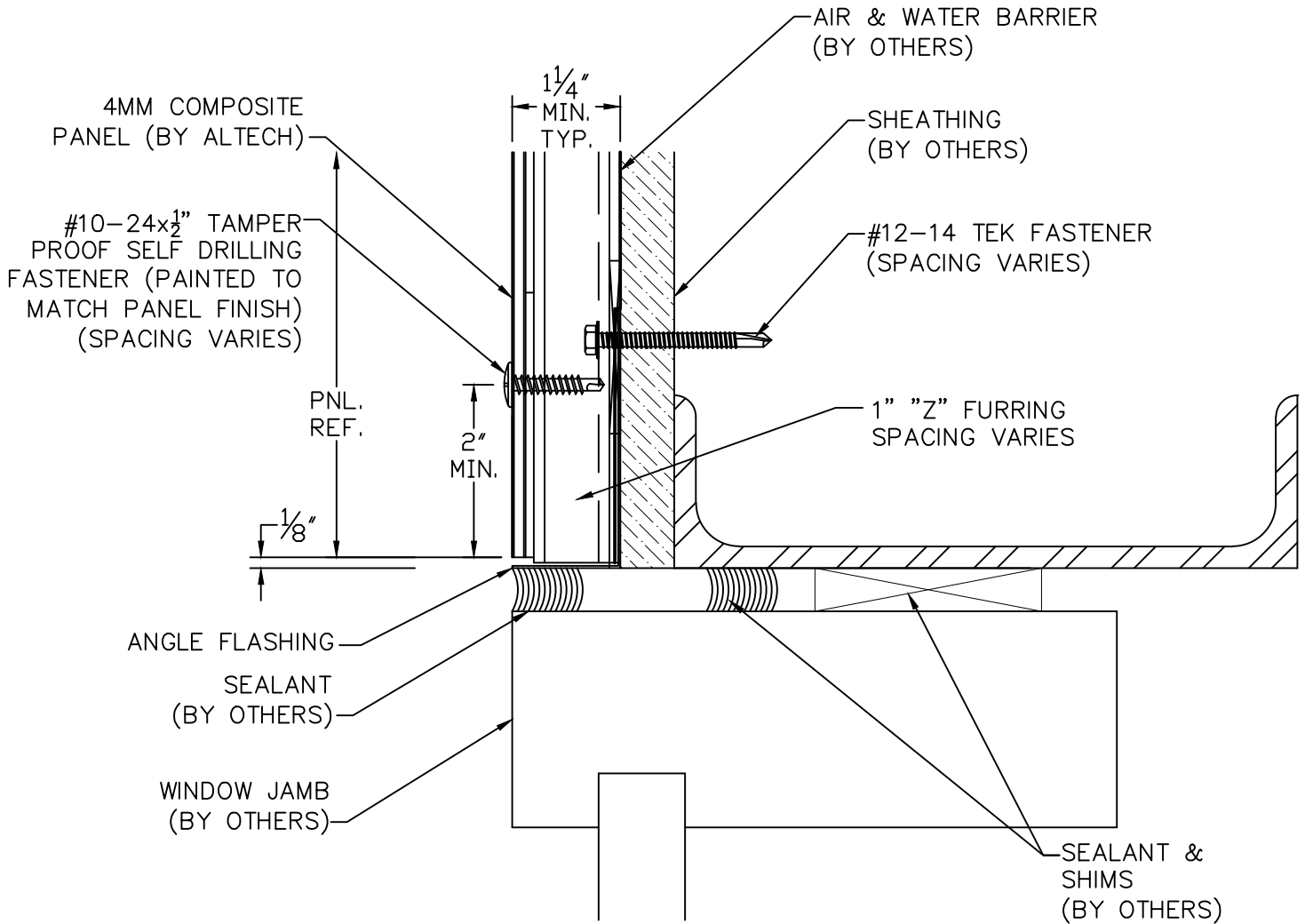
MANUFACTURER OF THE ACCU-TRAC PANEL SYSTEM

1 JOHNSON ST. SUITE 118

CARTERSVILLE, GA 30120

PHONE: (678) 721-4569

FAX: (678) 721-4958



9 WINDOW HEAD CONDITION
NOT TO SCALE

THIS DETAIL AND EXTRUSIONS ARE PROPRIETARY AND ARE NOT TO BE DUPLICATED OR DISTRIBUTED WITHOUT WRITTEN PERMISSION FROM THE MANAGEMENT OF ALTECH PANEL SYSTEMS

ALTECH PANEL SYSTEMS

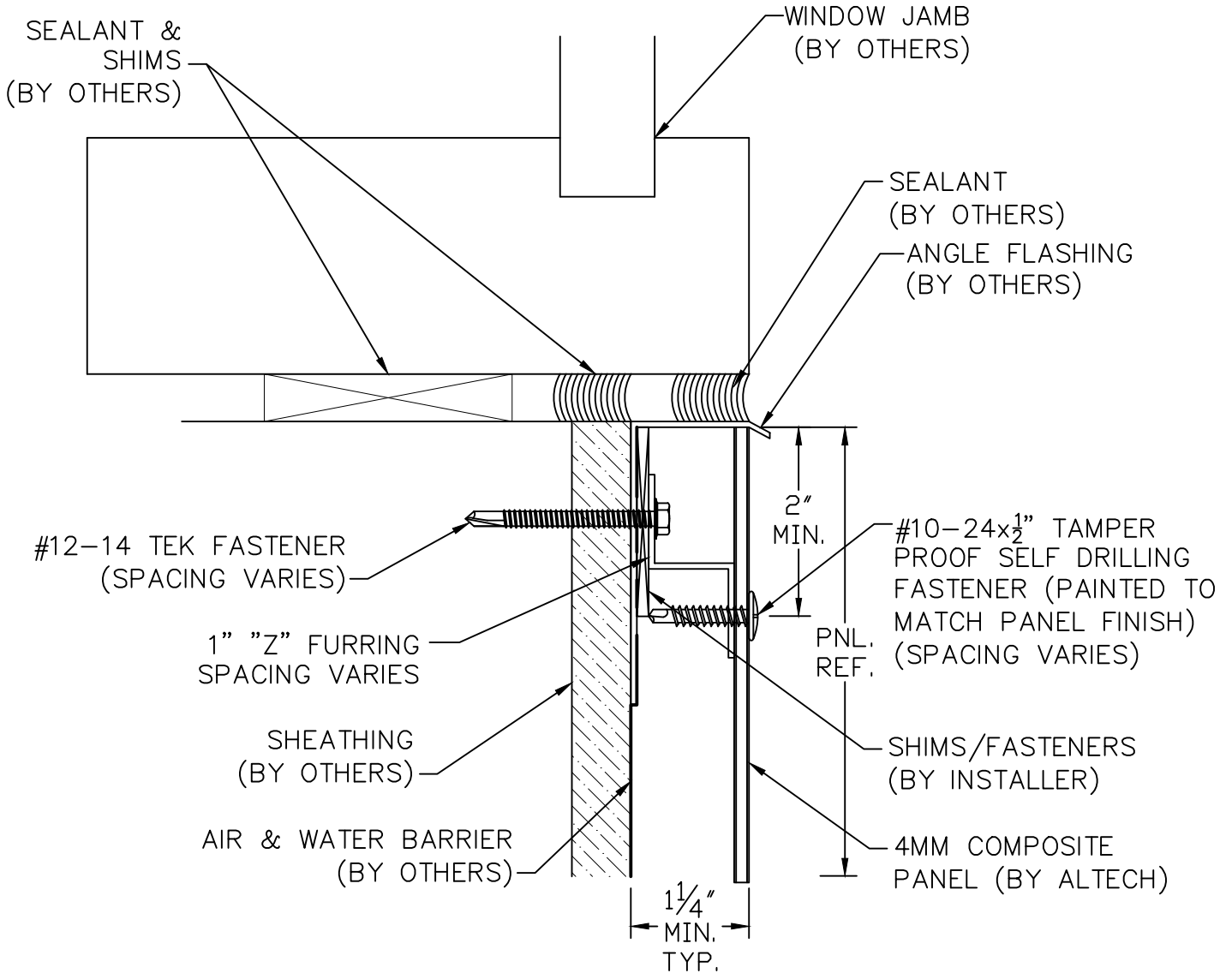
MANUFACTURER OF THE ACCU-TRAC PANEL SYSTEM

1 JOHNSON ST. SUITE 118

CARTERSVILLE, GA 30120

PHONE: (678) 721-4569

FAX: (678) 721-4958



10 WINDOW SILL CONDITION

NOT TO SCALE

THIS DETAIL AND EXTRUSIONS ARE PROPRIETARY AND ARE NOT TO BE DUPLICATED OR DISTRIBUTED WITHOUT WRITTEN PERMISSION FROM THE MANAGEMENT OF ALTECH PANEL SYSTEMS

ALTECH PANEL SYSTEMS

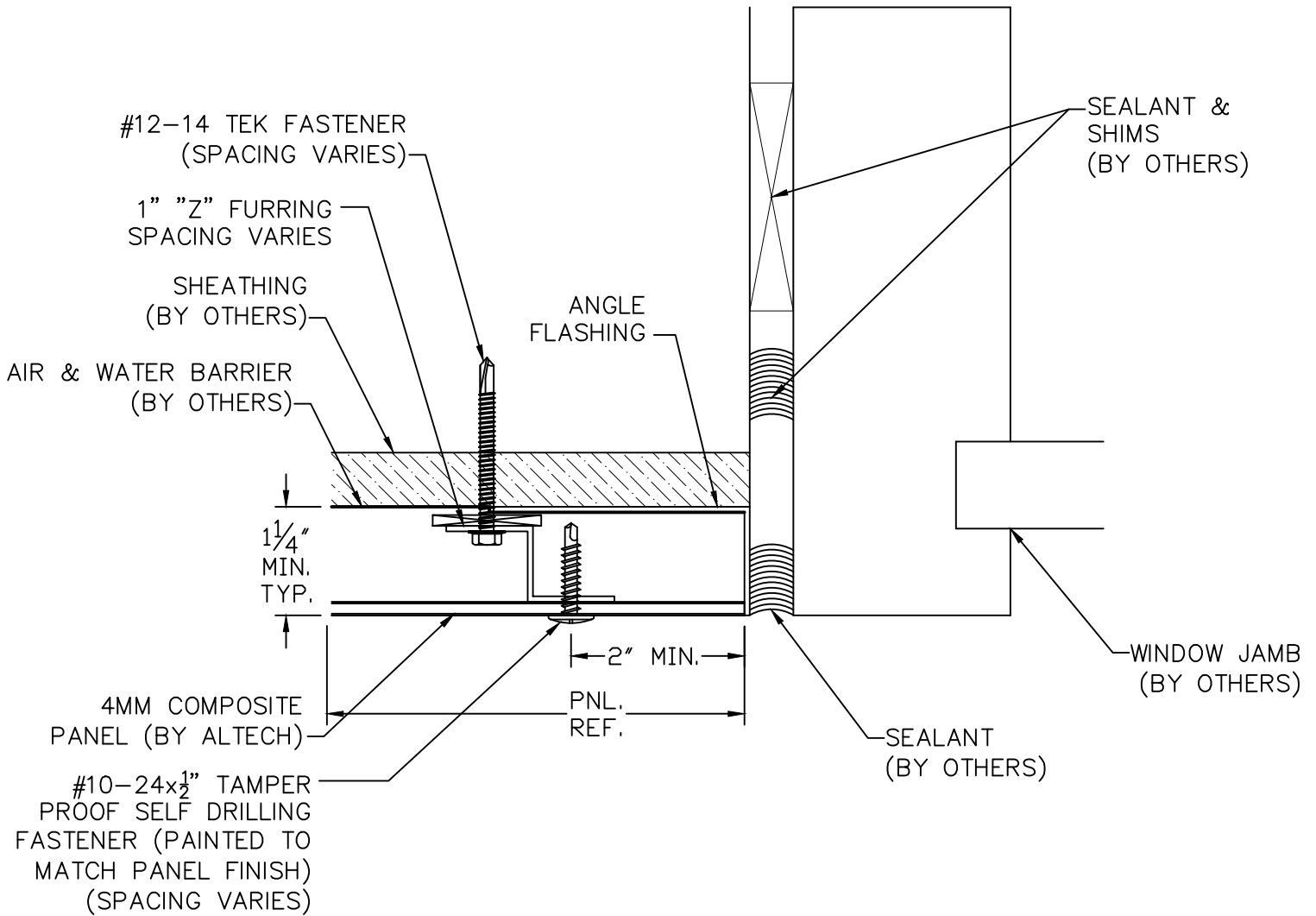
MANUFACTURER OF THE ACCU-TRAC PANEL SYSTEM

1 JOHNSON ST. SUITE 118

CARTERSVILLE, GA 30120

PHONE: (678) 721-4569

FAX: (678) 721-4958



11 WINDOW JAMB CONDITION
NOT TO SCALE

THIS DETAIL AND EXTRUSIONS ARE PROPRIETARY AND ARE NOT TO BE DUPLICATED OR DISTRIBUTED
WITHOUT WRITTEN PERMISSION FROM THE MANAGEMENT OF ALTECH PANEL SYSTEMS

ALTECH PANEL SYSTEMS

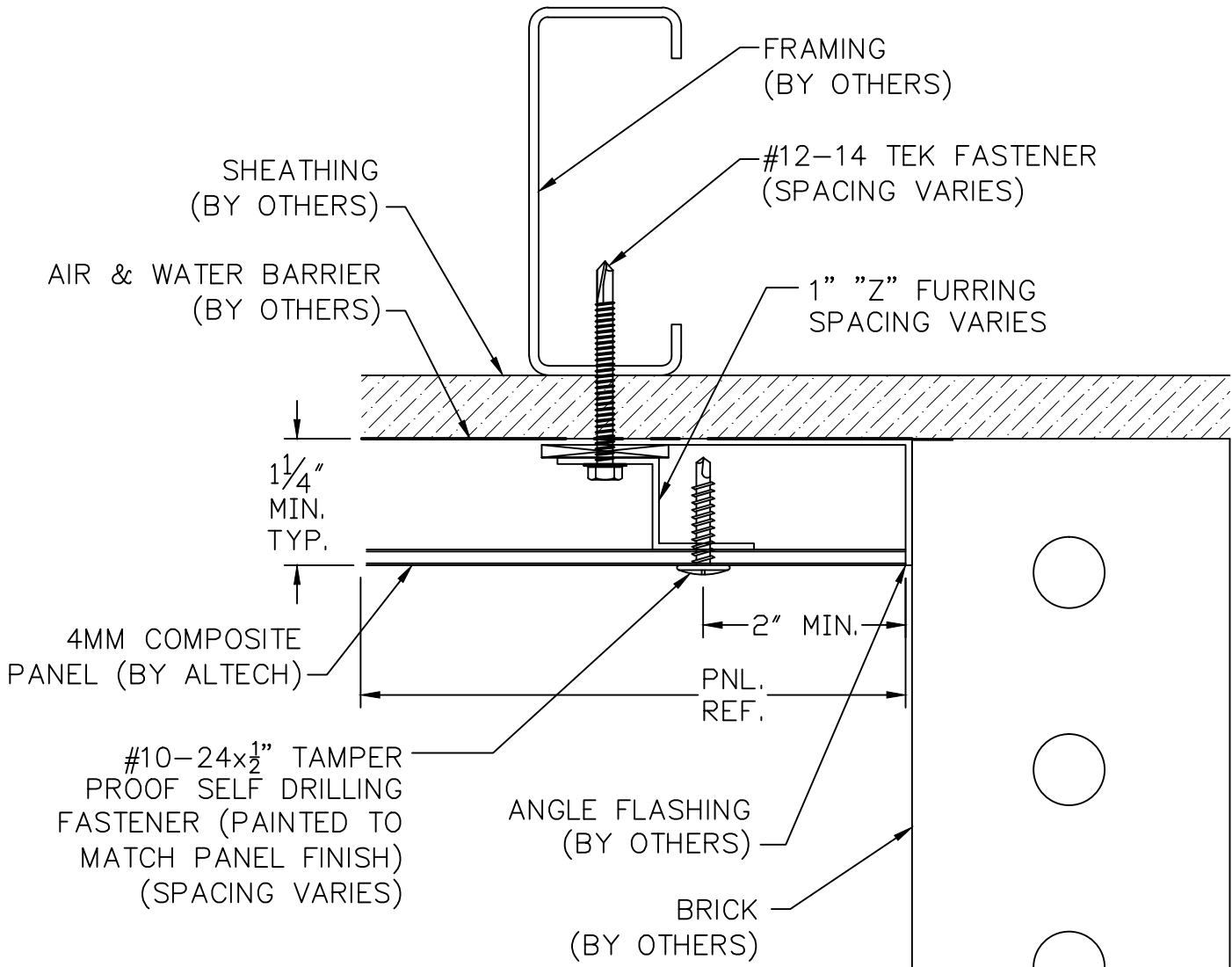
MANUFACTURER OF THE ACCU-TRAC PANEL SYSTEM

1 JOHNSON ST. SUITE 118

CARTERSVILLE, GA 30120

PHONE: (678) 721-4569

FAX: (678) 721-4958



12 JAMB CONDITION AT BRICK NOT TO SCALE

THIS DETAIL AND EXTRUSIONS ARE PROPRIETARY AND ARE NOT TO BE DUPLICATED OR DISTRIBUTED WITHOUT WRITTEN PERMISSION FROM THE MANAGEMENT OF ALTECH PANEL SYSTEMS

ALTECH PANEL SYSTEMS

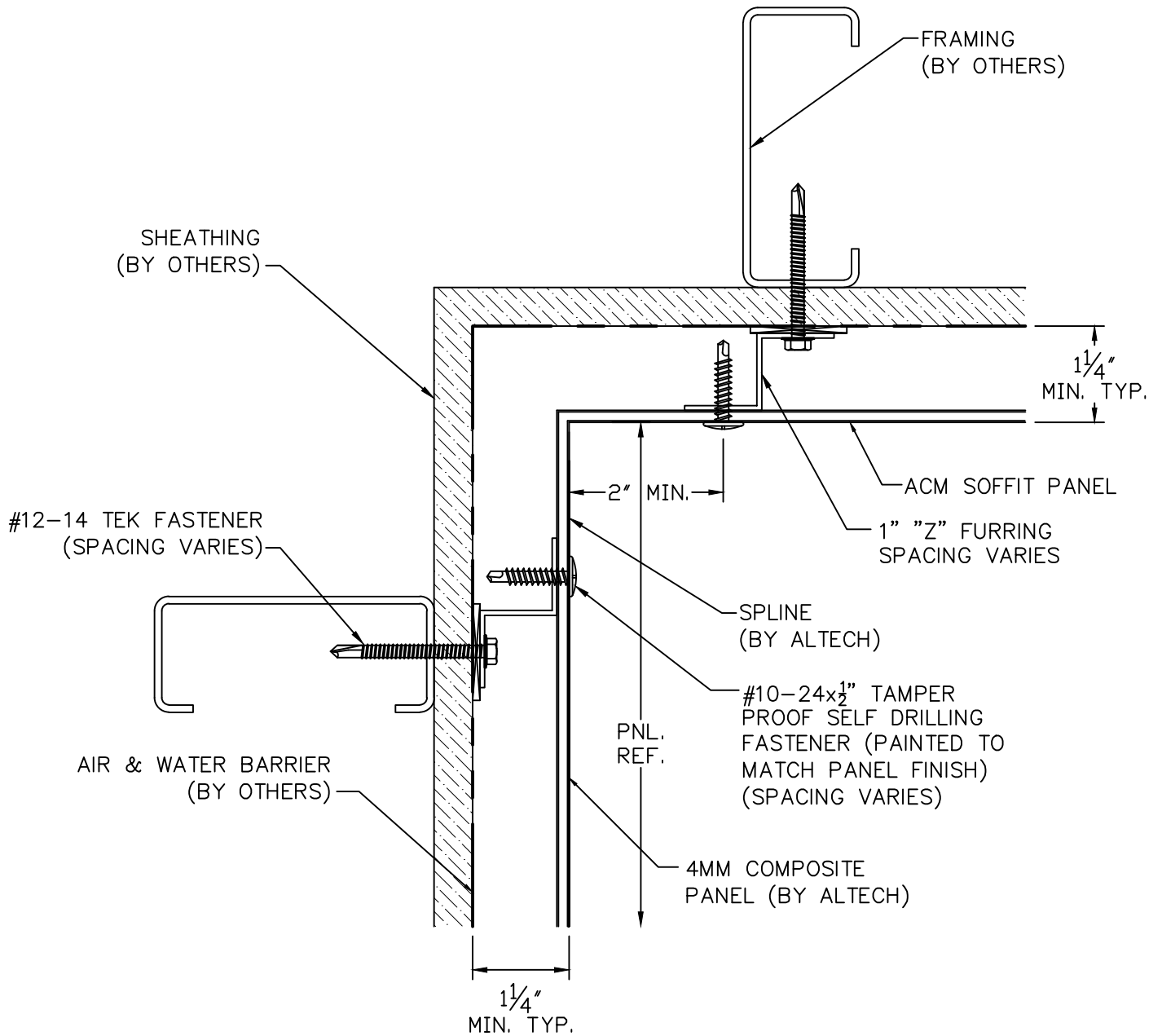
MANUFACTURER OF THE ACCU-TRAC PANEL SYSTEM

1 JOHNSON ST. SUITE 118

CARTERSVILLE, GA 30120

PHONE: (678) 721-4569

FAX: (678) 721-4958



13 INSIDE CORNER
NOT TO SCALE (FOR PLAN)

THIS DETAIL AND EXTRUSIONS ARE PROPRIETARY AND ARE NOT TO BE DUPLICATED OR DISTRIBUTED WITHOUT WRITTEN PERMISSION FROM THE MANAGEMENT OF ALTECH PANEL SYSTEMS