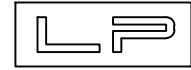


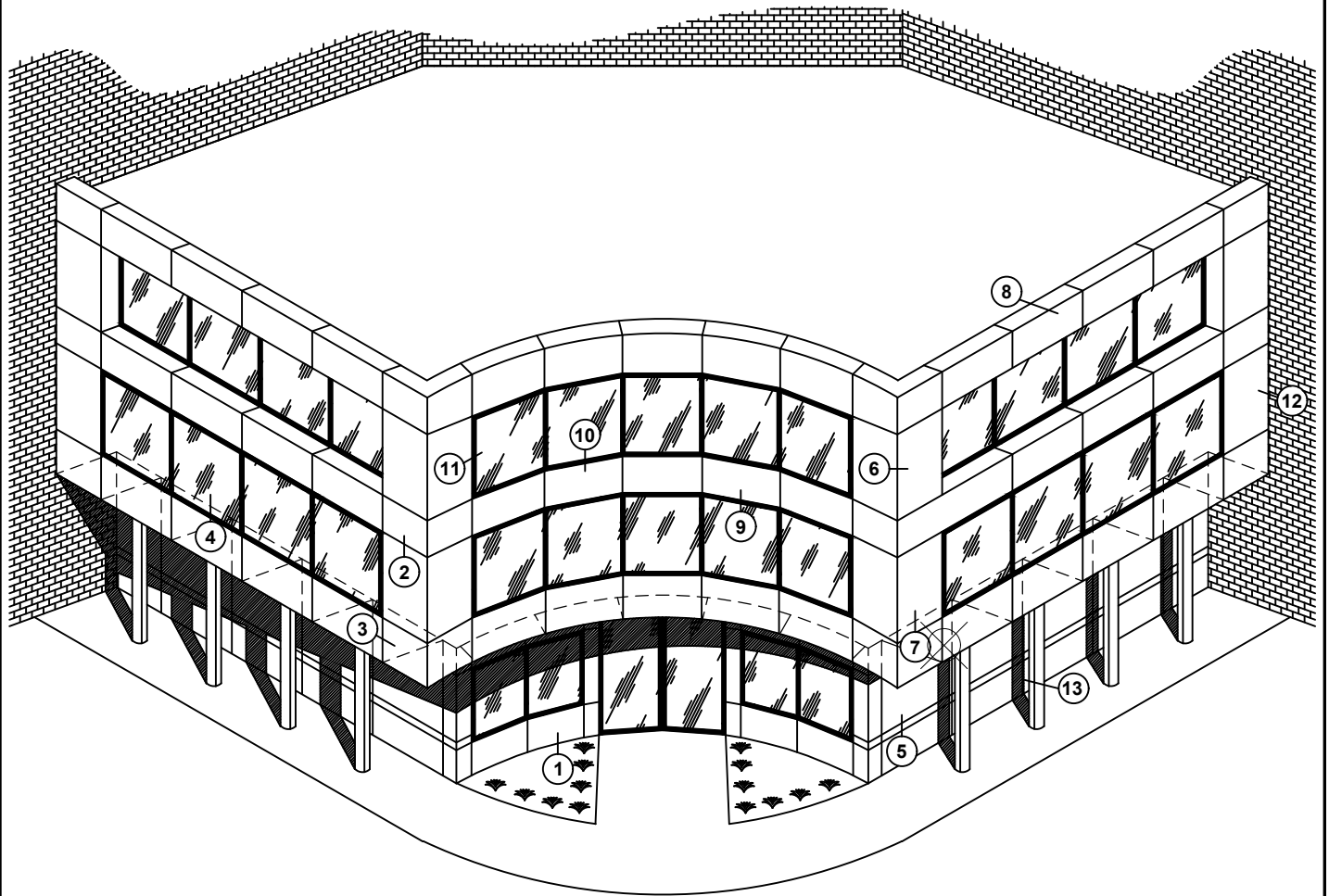
ACCU-TRAC



LOW PROFILE
ATTACHMENT SYSTEMS
TYPICAL DETAILS

ROUTE & RETURN EXPOSED SEALANT SYSTEM

(ES SYSTEM)

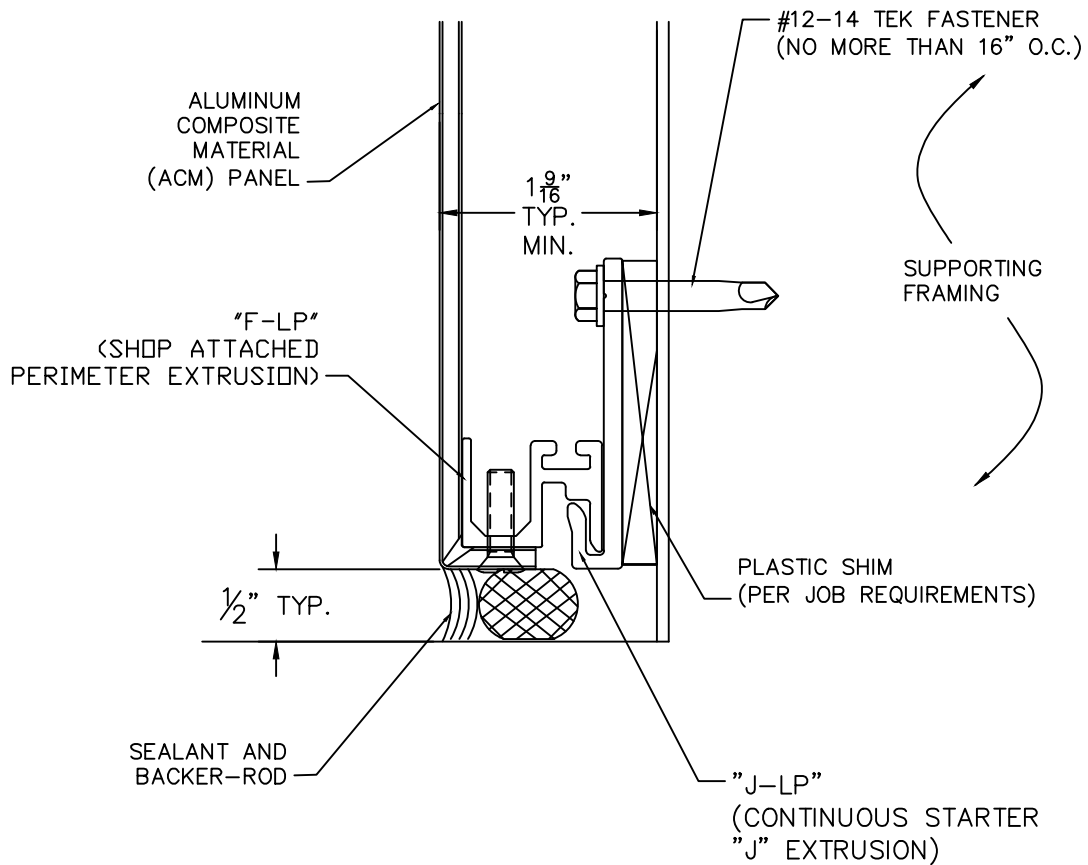


MANUFACTURED BY ALTECH PANEL SYSTEMS AND AVAILABLE THROUGH VARIOUS DISTRIBUTORS
1 JOHNSON ST. SUITE 118 CARTERSVILLE, GA. 30120 PHONE 678-721-4569

ALTECHPANEL.COM

ACCU-TRAC (ES) ATTACHMENT SYSTEMS

1 JOHNSON ST. SUITE 118 CARTERSVILLE, GA. 30120 PHONE 678-721-4569

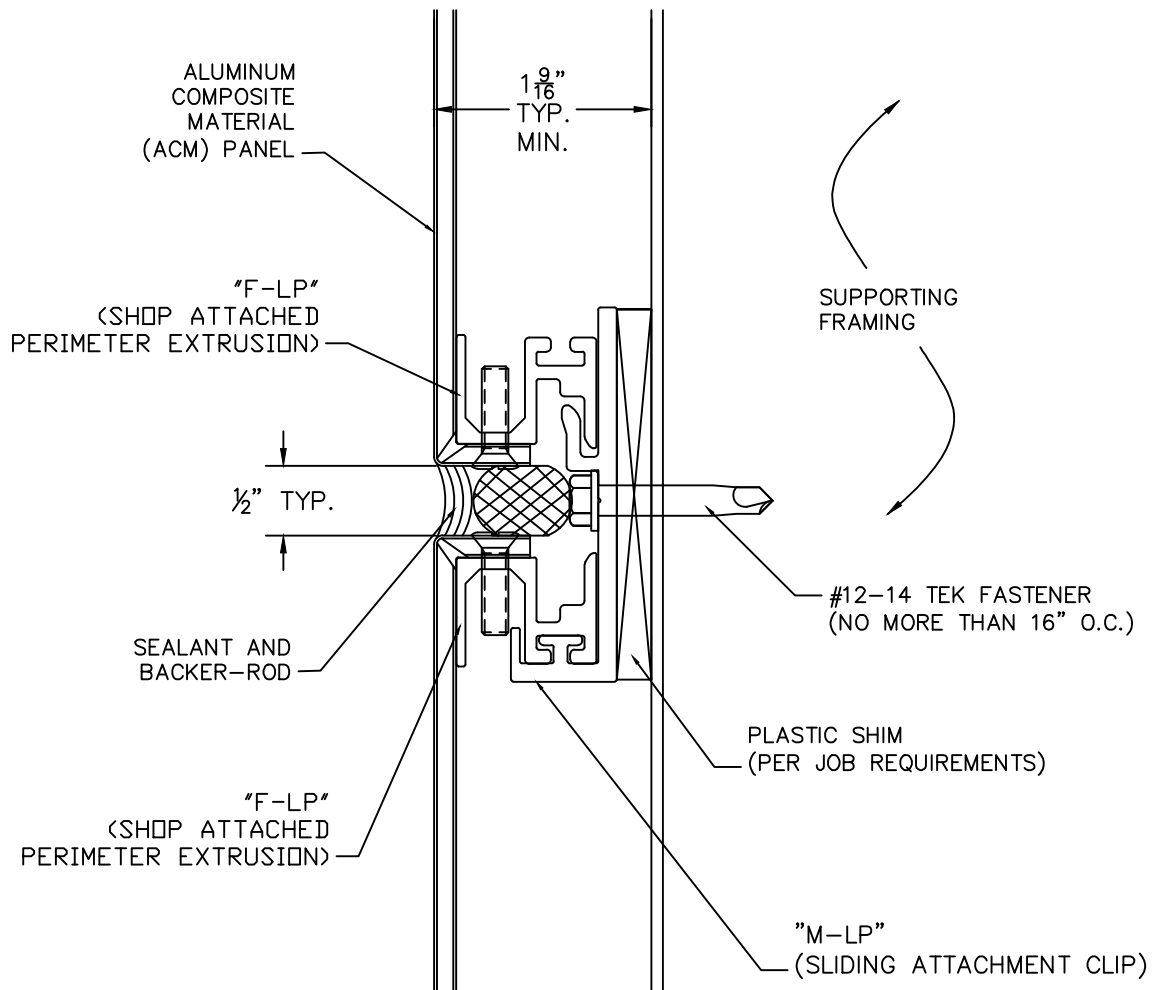


1

SILL TERMINATION
SCALE: NONE

ACCU-TRAC (ES) ATTACHMENT SYSTEMS

1 JOHNSON ST. SUITE 118 CARTERSVILLE, GA. 30120 PHONE 678-721-4569

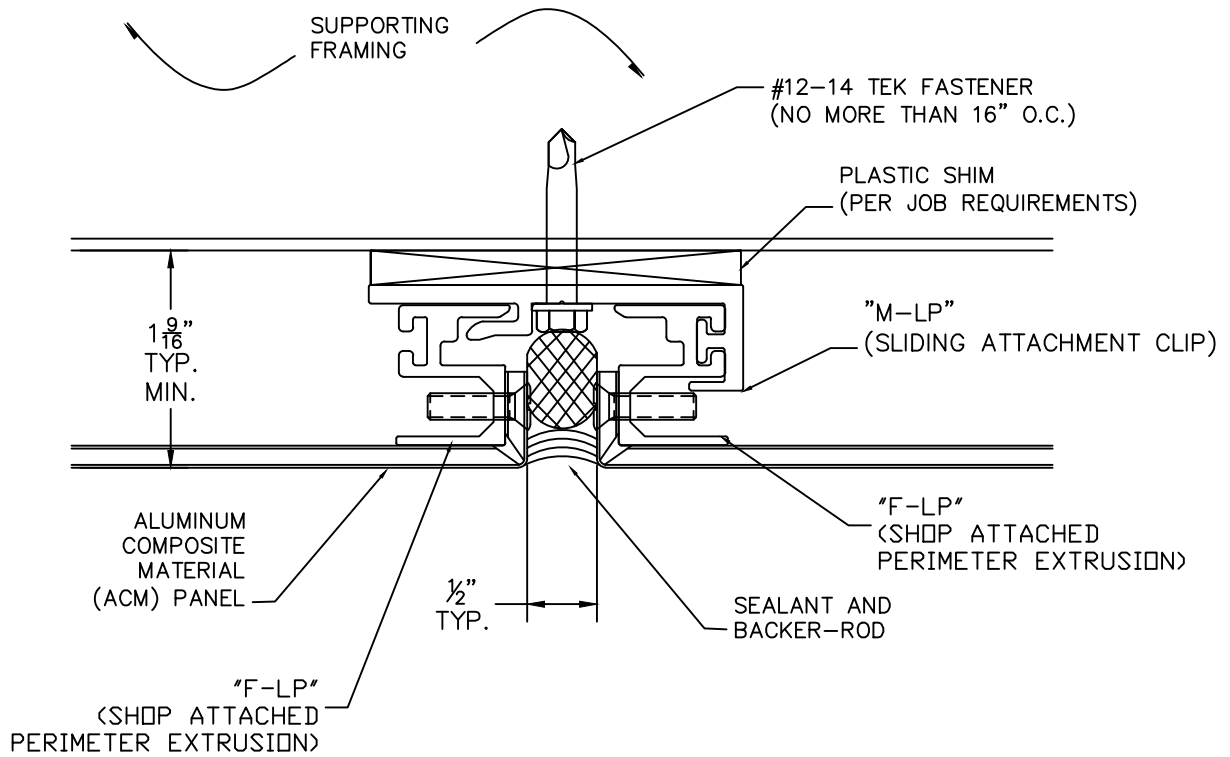


2

TYP. HORIZONTAL JT.
SCALE: NONE

ACCU-TRAC (ES) ATTACHMENT SYSTEMS

1 JOHNSON ST. SUITE 118 CARTERSVILLE, GA. 30120 PHONE 678-721-4569

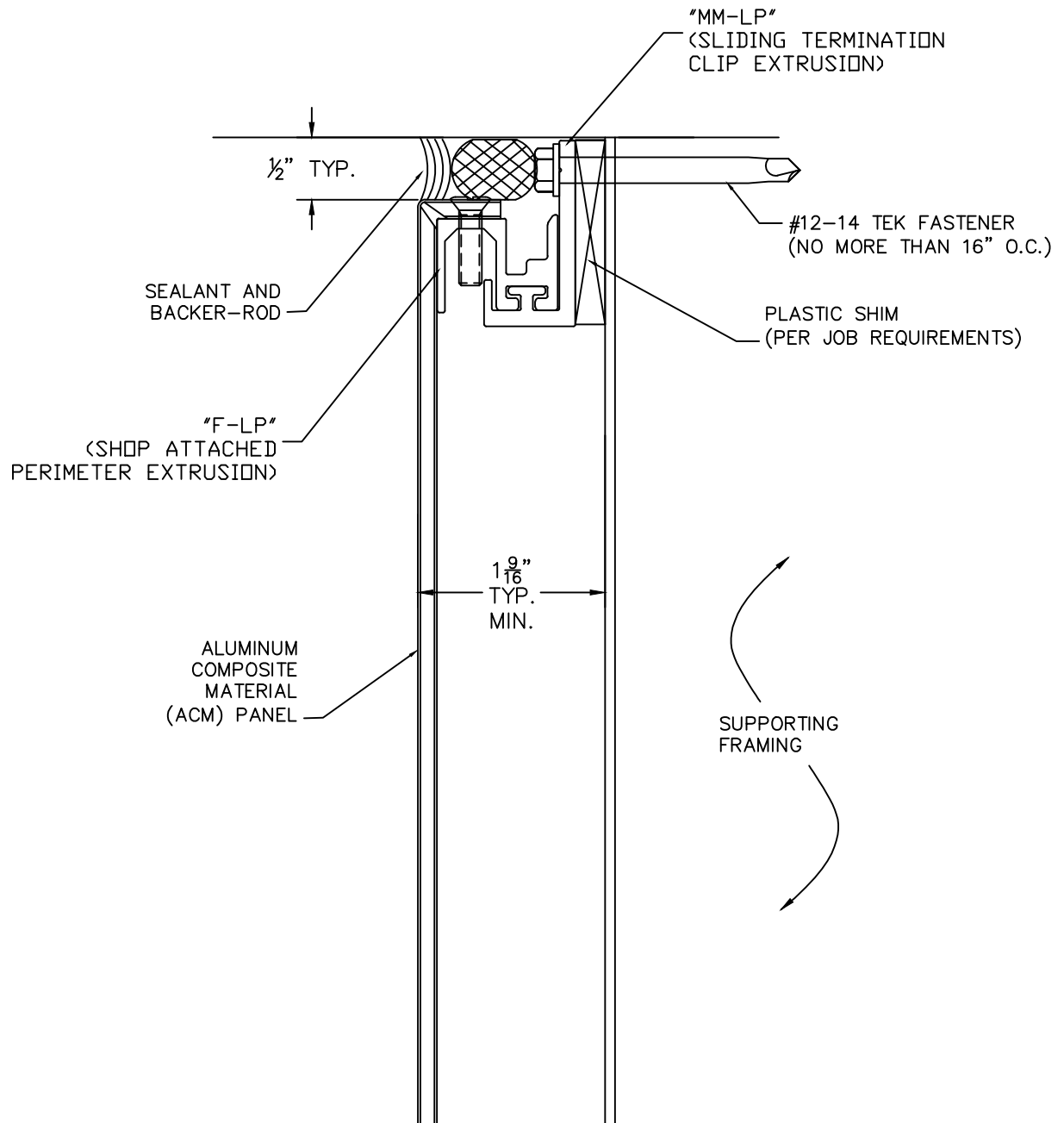


3

TYP. VERTICAL JT.
SCALE: NONE

ACCU-TRAC (ES) ATTACHMENT SYSTEMS

1 JOHNSON ST. SUITE 118 CARTERSVILLE, GA. 30120 PHONE 678-721-4569



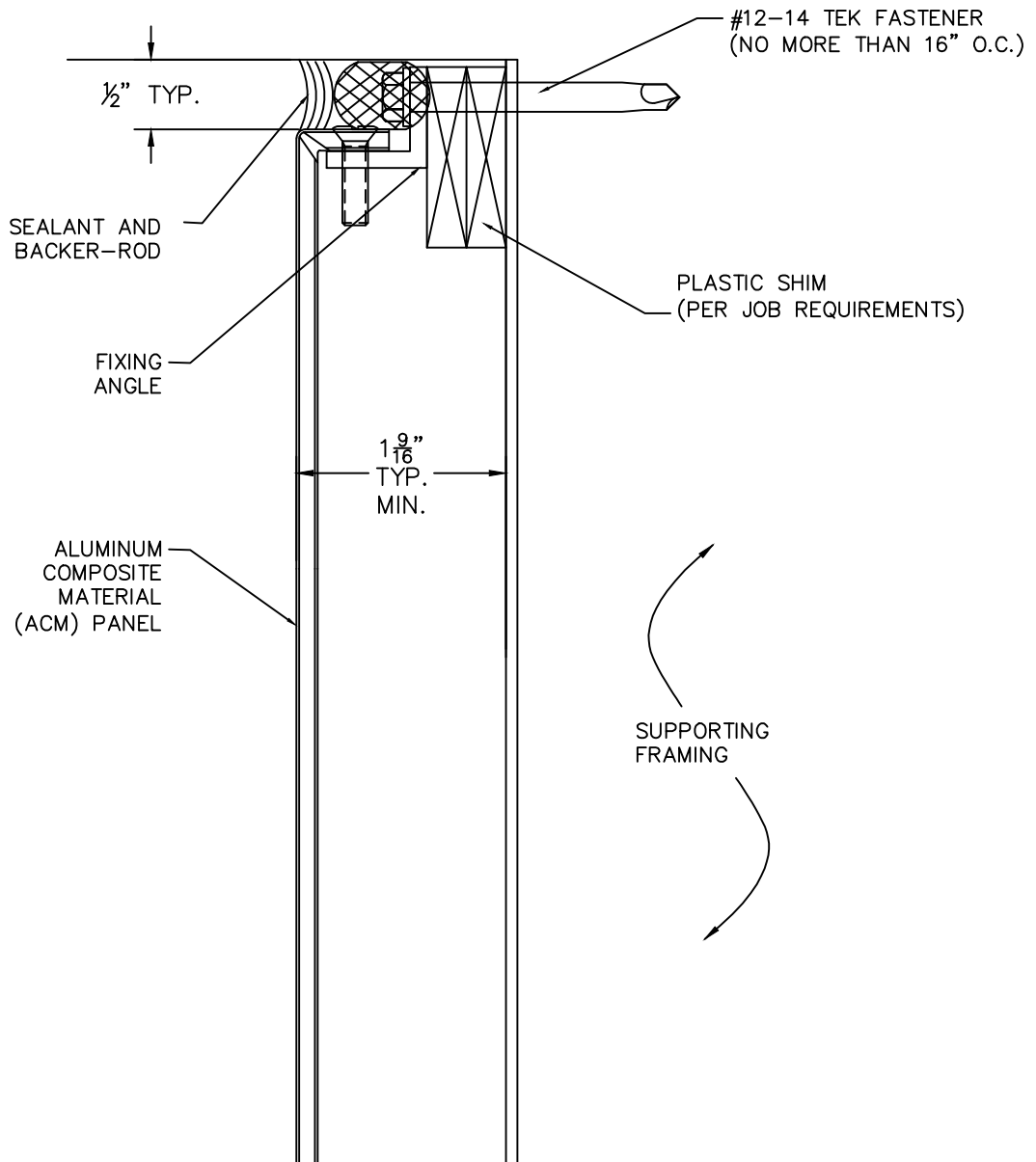
4

HEAD TERMINATION

SCALE: NONE

ACCU-TRAC (ES) ATTACHMENT SYSTEMS

1 JOHNSON ST. SUITE 118 CARTERSVILLE, GA. 30120 PHONE 678-721-4569

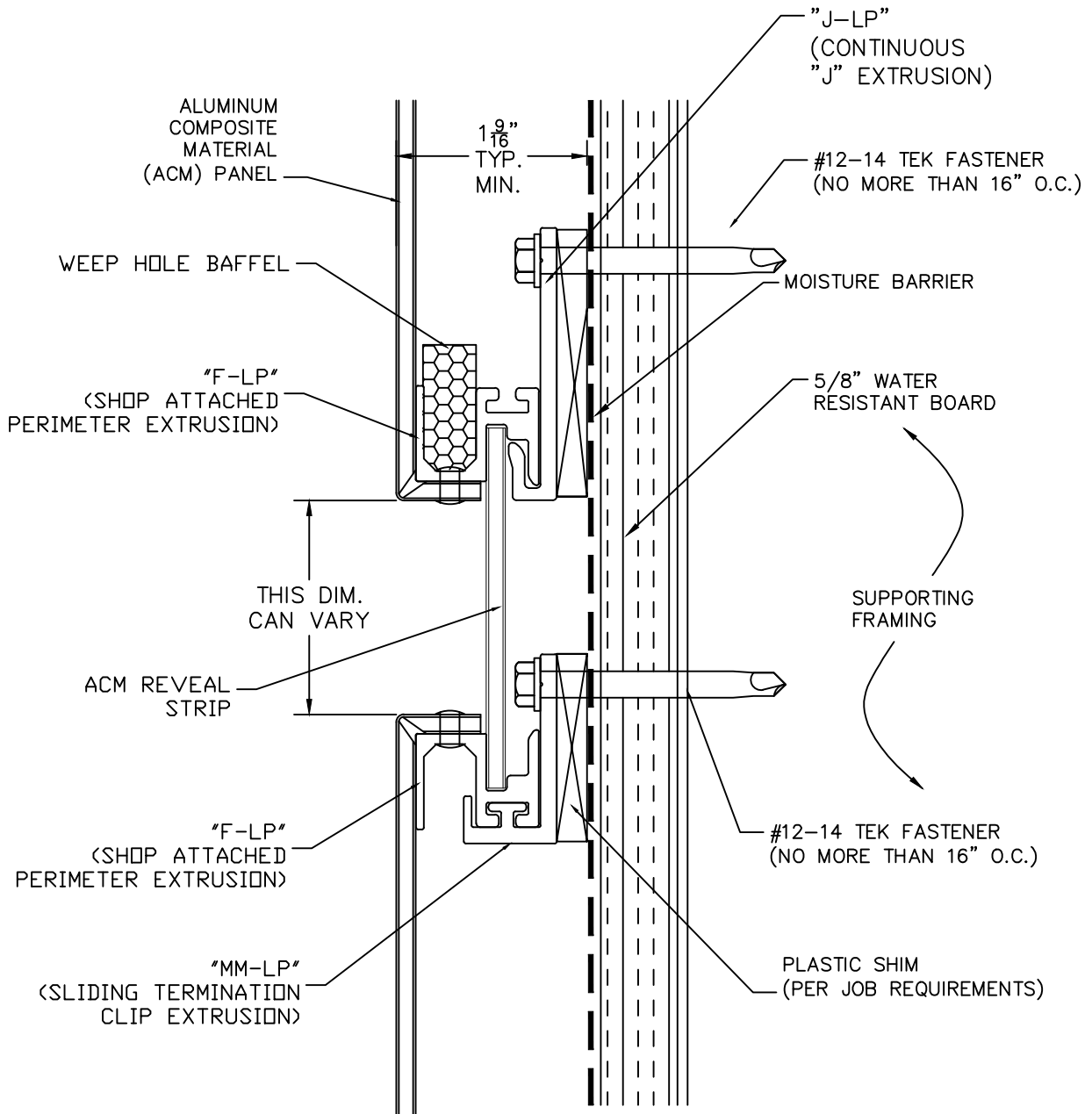


4A

ALT. HEAD TERMINATION
SCALE: NONE

ACCU-TRAC (ES) ATTACHMENT SYSTEMS

1 JOHNSON ST. SUITE 118 CARTERSVILLE, GA. 30120 PHONE 678-721-4569

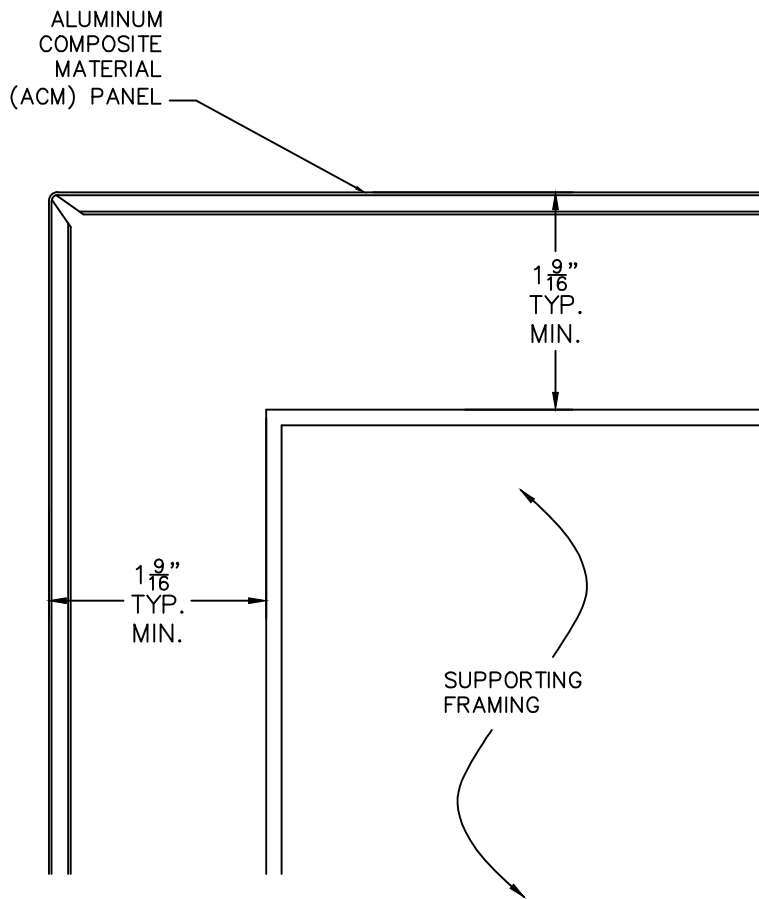


5

TYP. REVEAL JT.
SCALE: NONE

ACCU-TRAC (ES) ATTACHMENT SYSTEMS

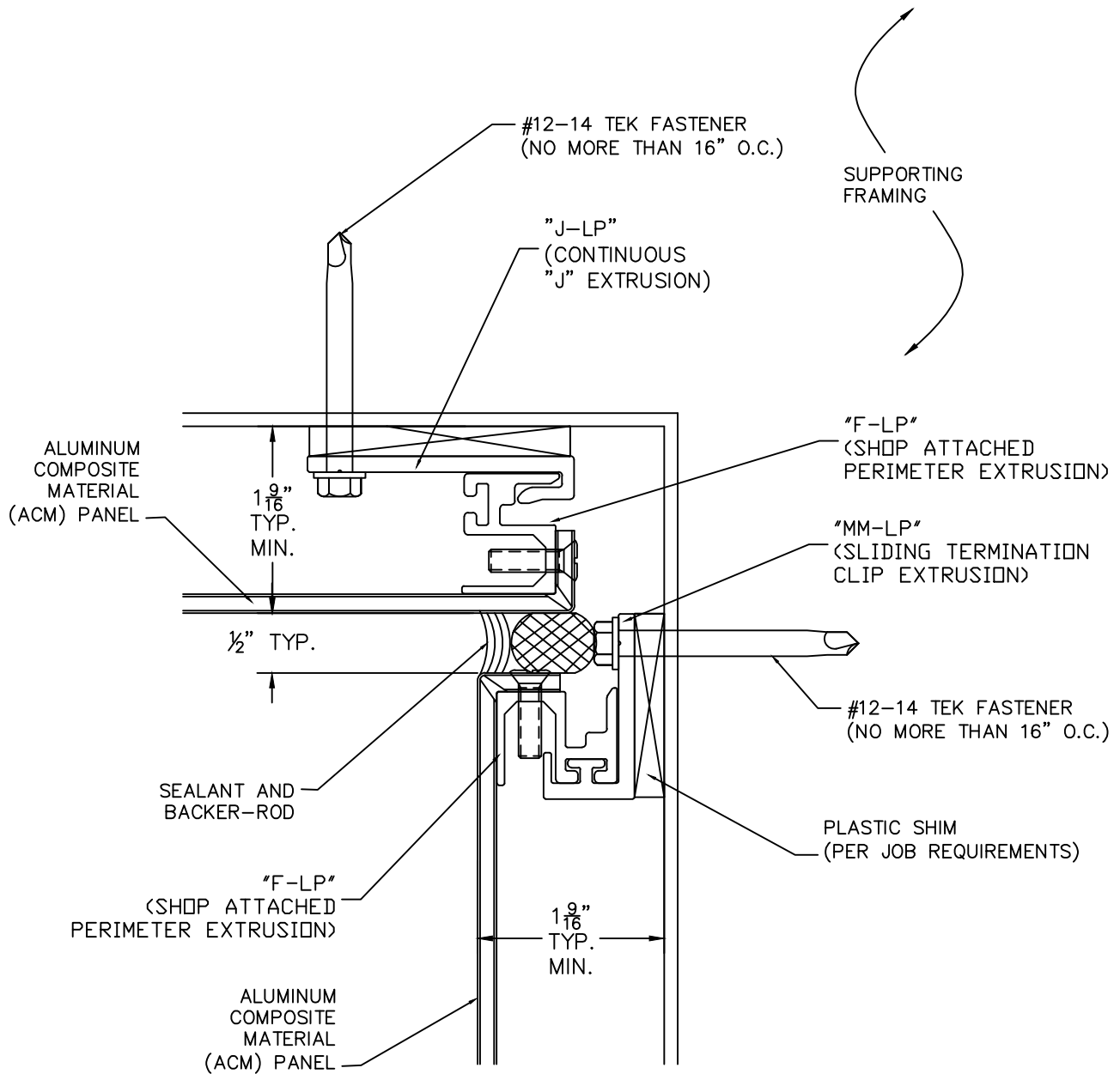
1 JOHNSON ST. SUITE 118 CARTERSVILLE, GA. 30120 PHONE 678-721-4569



6 OUTSIDE CORNER
SCALE: NONE

ACCU-TRAC (ES) ATTACHMENT SYSTEMS

1 JOHNSON ST. SUITE 118 CARTERSVILLE, GA. 30120 PHONE 678-721-4569



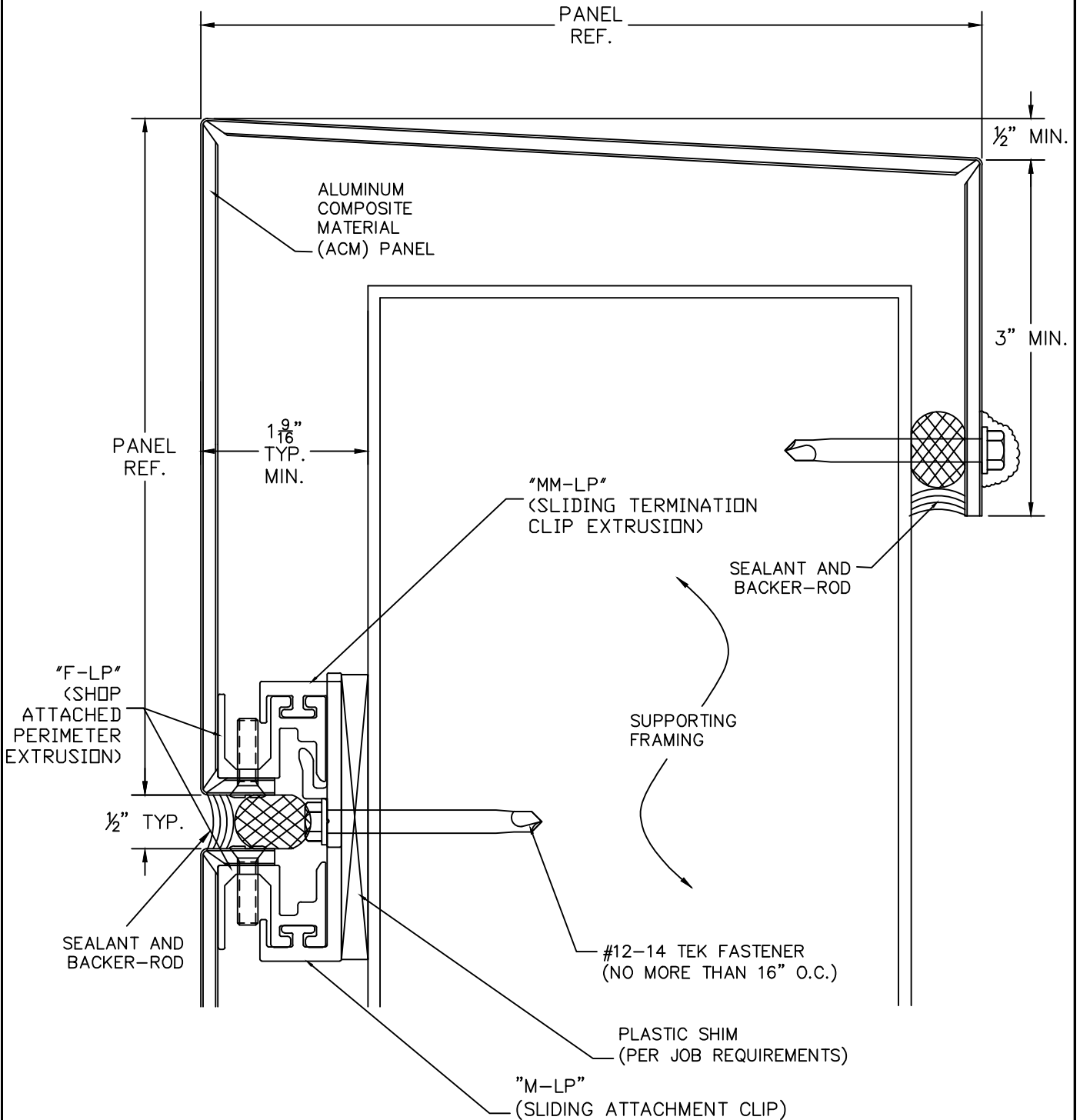
7

SOFFIT CONDITION

SCALE: NONE

ACCU-TRAC (ES) ATTACHMENT SYSTEMS

1 JOHNSON ST. SUITE 118 CARTERSVILLE, GA. 30120 PHONE 678-721-4569



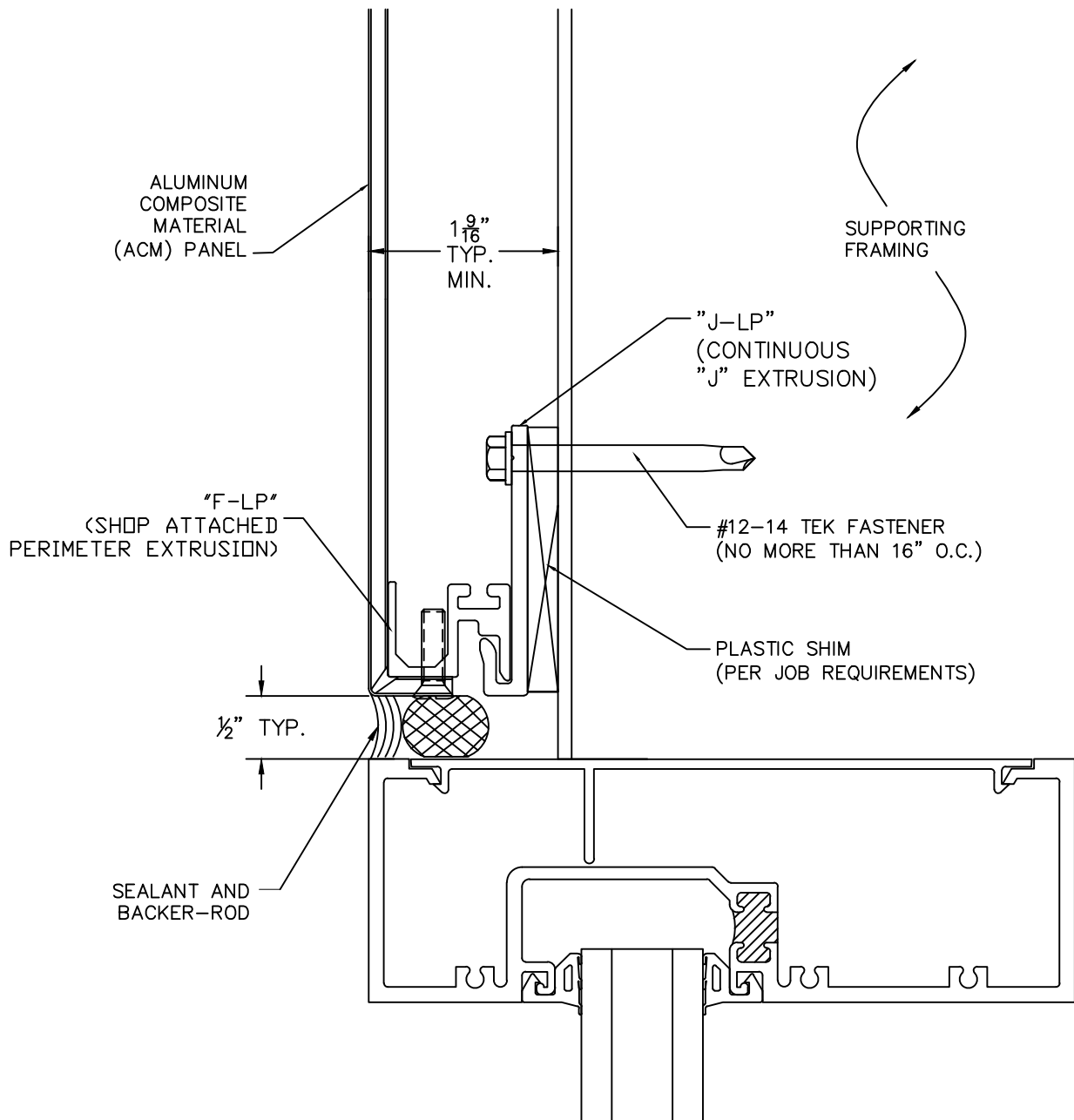
8

PARAPET CONDITION

SCALE: NONE

ACCU-TRAC (ES) ATTACHMENT SYSTEMS

1 JOHNSON ST. SUITE 118 CARTERSVILLE, GA. 30120 PHONE 678-721-4569



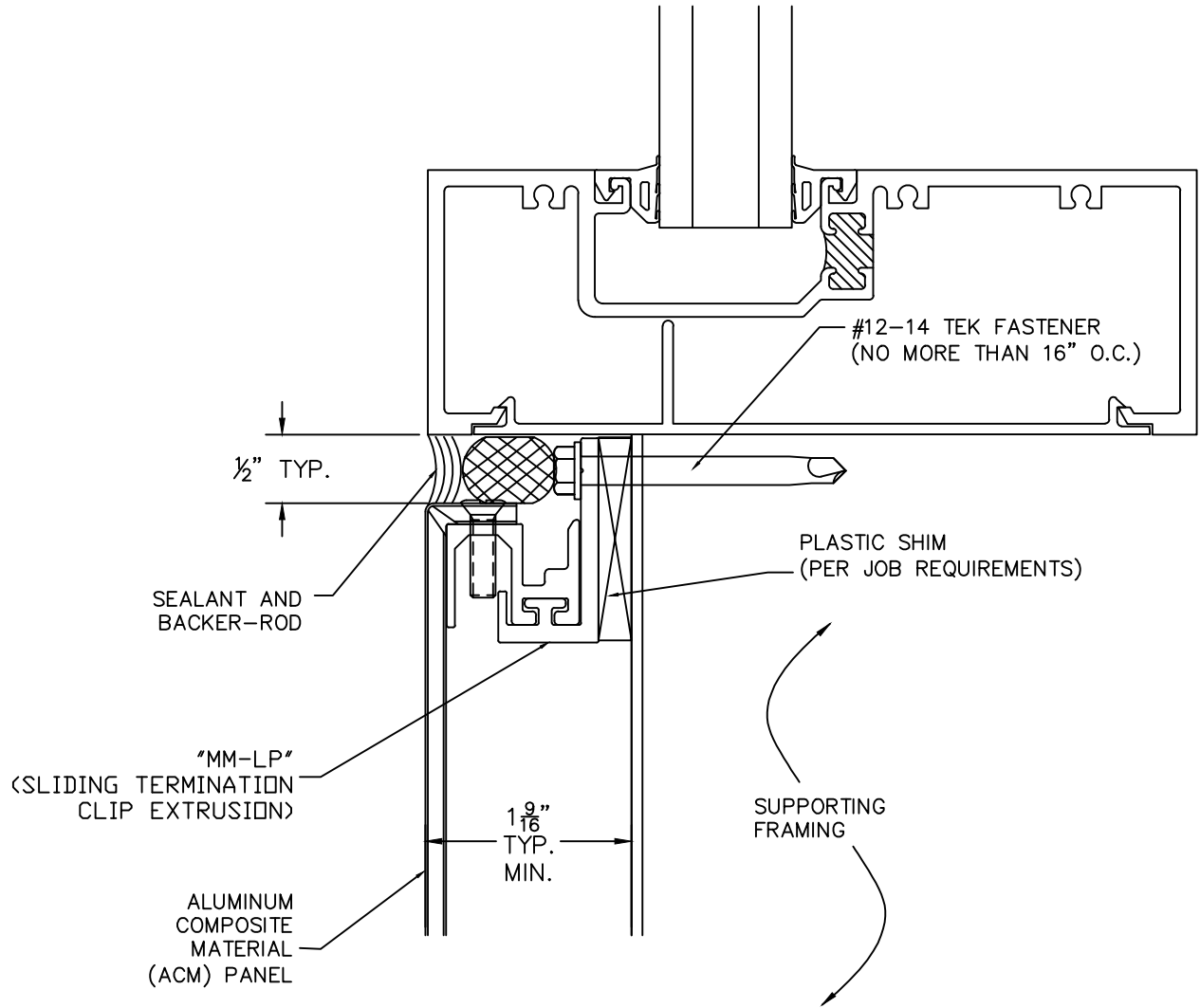
9

WINDOW HEAD CONDITION

SCALE: NONE

ACCU-TRAC (ES) ATTACHMENT SYSTEMS

1 JOHNSON ST. SUITE 118 CARTERSVILLE, GA. 30120 PHONE 678-721-4569



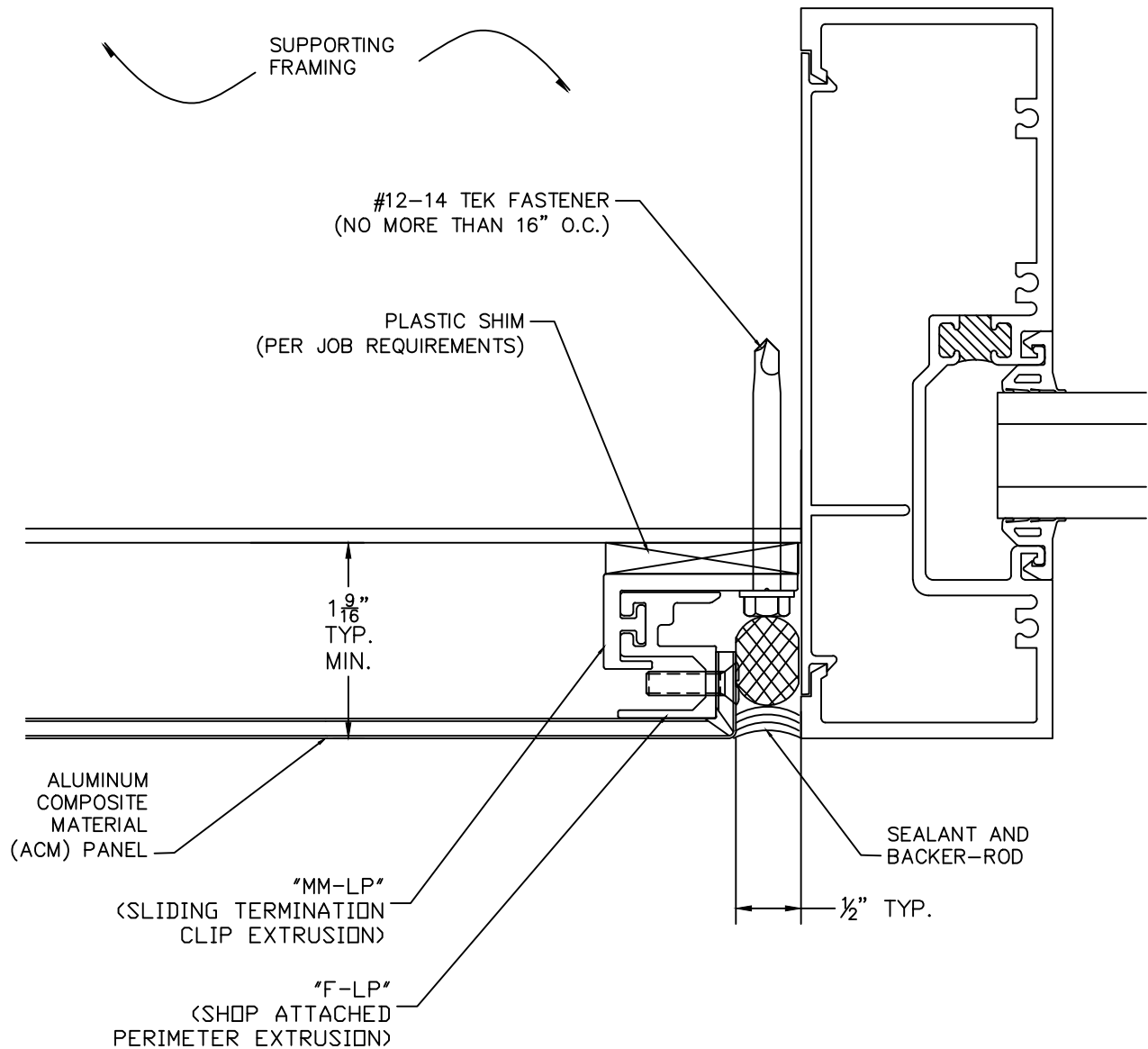
10

WINDOW SILL CONDITION

SCALE: NONE

ACCU-TRAC (ES) ATTACHMENT SYSTEMS

1 JOHNSON ST. SUITE 118 CARTERSVILLE, GA. 30120 PHONE 678-721-4569



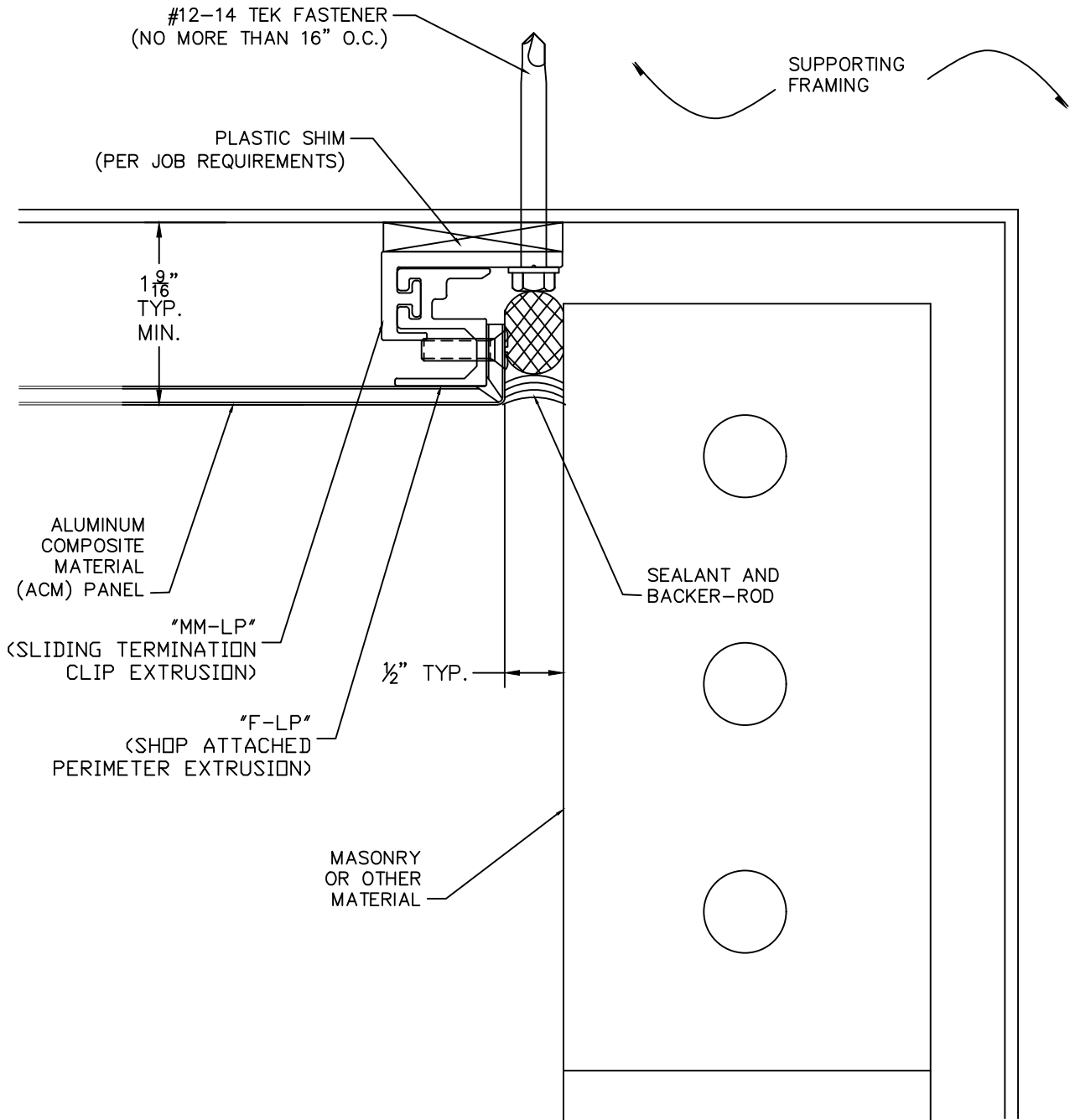
11

WINDOW JAMB CONDITION

SCALE: NONE

ACCU-TRAC (ES) ATTACHMENT SYSTEMS

1 JOHNSON ST. SUITE 118 CARTERSVILLE, GA. 30120 PHONE 678-721-4569

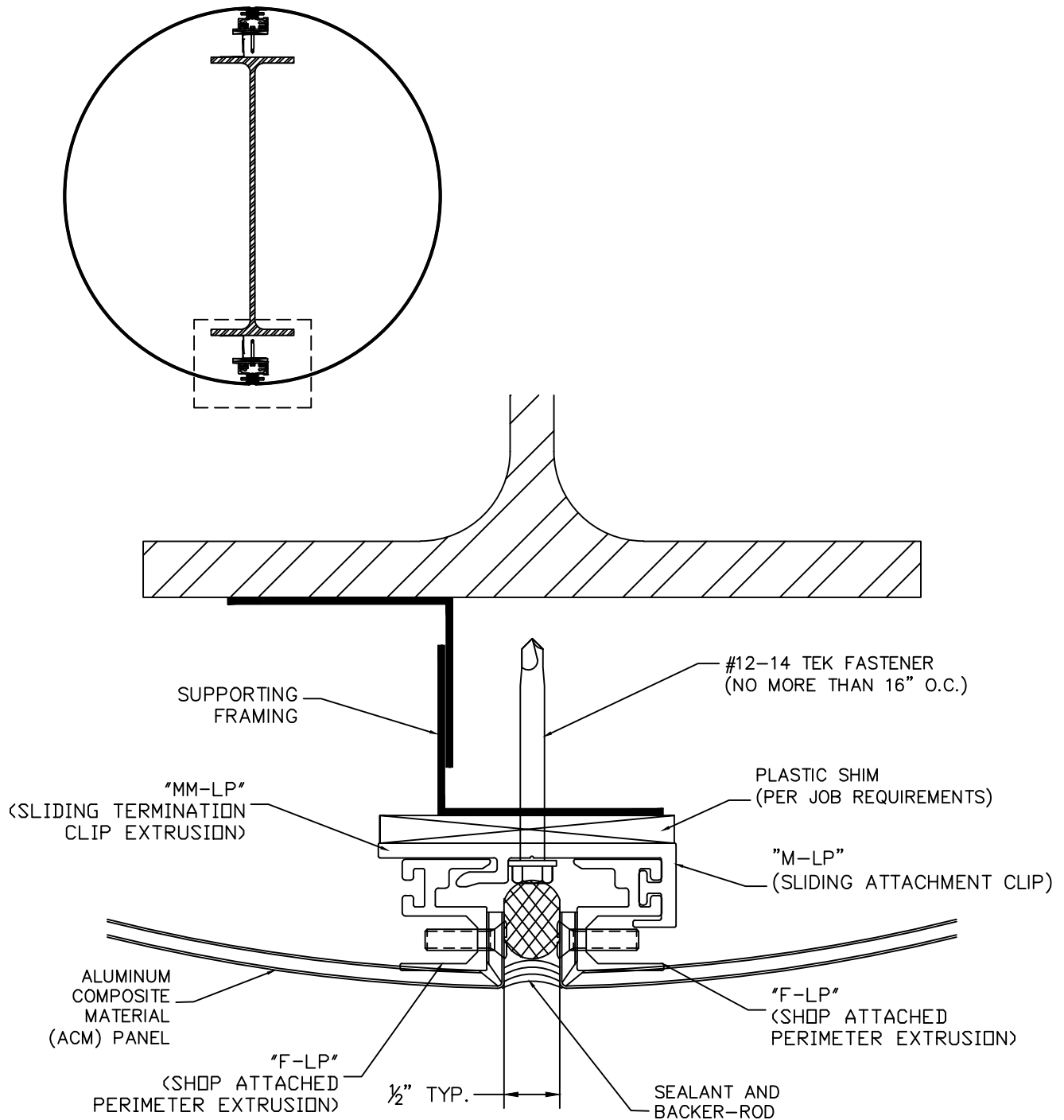


12

JAMB CONDITION @ BRICK
SCALE: NONE

ACCU-TRAC (ES) ATTACHMENT SYSTEMS

1 JOHNSON ST. SUITE 118 CARTERSVILLE, GA. 30120 PHONE 678-721-4569



13

COLUMN DETAIL
SCALE: NONE